



LD Series

Discover the value of Graco in your workshop



PROVEN QUALITY. LEADING TECHNOLOGY.

Index

LD Series

LD Air-Powered Pumps	p.	4 - 7
LD Meters	p.	8 - 9
LD Enclosed Hose Reels	p.	10-12
SD Reels	p.	13-14

Oil Packages

Oil Packages without Reels		
3:1 Oil Wall Packages	p.	15
5:1 Oil Wall Packages	p.	15
3:1 Oil Drum Mount Packages	p.	16
5:1 Oil Drum Mount Packages	p.	16
Oil IBC Packages without Reels		
3:1 Oil Wall Mount Packages	p.	17
5:1 Oil Wall Mount Packages	p.	17
Oil IBC Packages with Reels		
3:1 Oil Top Mount Packages	p.	18
5:1 Oil Top Mount Packages	p.	18
3:1 Oil Side Mount Packages	p.	19
5:1 Oil Side Mount Packages	p.	19
Oil Cart Mount Packages without Reels		
3:1 Oil Cart Mount Packages	p.	20
5:1 Oil Cart Mount Packages	p.	20
Oil Cart Mount Packages with Reels		
3:1 Oil Cart Mount Packages	p.	21
5:1 Oil Cart Mount Packages	p.	21

Grease Packages

Grease Pumps and Packages		
50:1 Grease Drum Packages - 10-40 kg	p.	22
50:1 Grease Drum Packages - 30-110 kg	p.	23-24
50:1 Grease Drum Packages - 180kg	p.	25

Accessories LD Packages

Suction Kits	p.	26
Hose and Fitting Kits - Oil	p.	26
Hose and Fittings Kits - Grease	p.	26
Tote Mount Accessories	p.	27
Carts	p.	27
Mounting Hardware	p.	27
Bung Adapter	p.	27

Performance Runs in the Family

State-of-the-Art Design

Each product in the LD family has innovative features built-in, plus advanced technologies designed to save you money and provide reliable performance and long life at a competitive price.

More Configurations

Choose drum, tote or wall mount applications with multiple meter, pump and reel choices

Industry Leading Warranty

Graco offers one of the best warranties in the business—5 years on all our LD Series family products.*

ATEX Approved

High Quality pumps for various environments.

* Two years on LD Meter electronics



Everything you need, right out of the box

Choose from a variety of dispensing solutions. From the economical drum package to the high-performance tote packages, every solution is designed with the highest quality components for trouble-free operation.

LD Air-Powered Pumps

Only Graco can give you the field-proven performance found in the famous FireBall® pump for a solution that works as hard as you. Fast repairs, flexible configuration, industry leading warranty, and so many other field proven features are built-in—all at a competitive price.

Loaded with high performance technologies.

LD 3:1 Pump

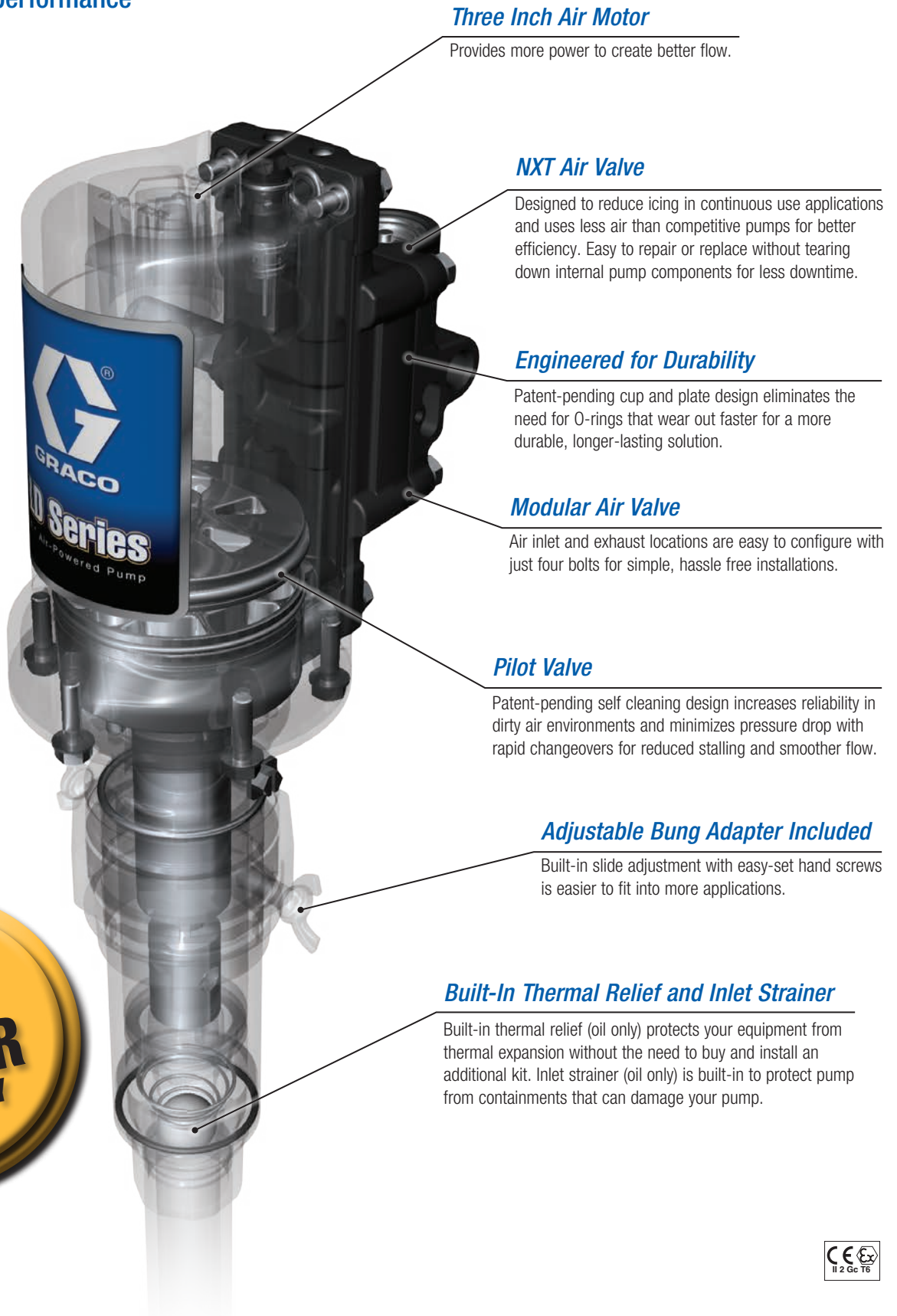
Medium pressure, high flow applications

LD 5:1 Pump

High pressure, medium flow for cold temperature or long run applications

LD 50:1 Pump

High pressure grease to 7500 psi



Three Inch Air Motor

Provides more power to create better flow.

NXT Air Valve

Designed to reduce icing in continuous use applications and uses less air than competitive pumps for better efficiency. Easy to repair or replace without tearing down internal pump components for less downtime.

Engineered for Durability

Patent-pending cup and plate design eliminates the need for O-rings that wear out faster for a more durable, longer-lasting solution.

Modular Air Valve

Air inlet and exhaust locations are easy to configure with just four bolts for simple, hassle free installations.

Pilot Valve

Patent-pending self cleaning design increases reliability in dirty air environments and minimizes pressure drop with rapid changeovers for reduced stalling and smoother flow.

Adjustable Bung Adapter Included

Built-in slide adjustment with easy-set hand screws is easier to fit into more applications.

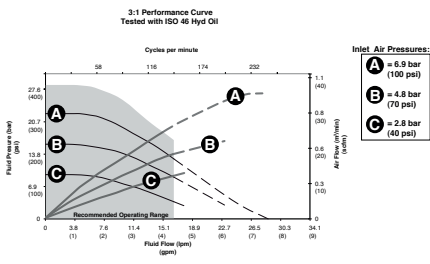
Built-In Thermal Relief and Inlet Strainer

Built-in thermal relief (oil only) protects your equipment from thermal expansion without the need to buy and install an additional kit. Inlet strainer (oil only) is built-in to protect pump from contaminants that can damage your pump.

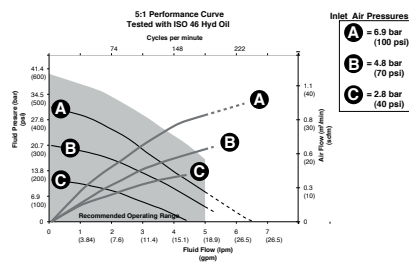


Technical specifications

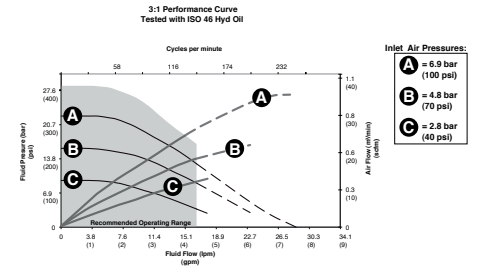
LD Series 3:1 Oil Pump



LD Series 5:1 Oil Pump



LD Series 50:1 Grease Pump



Tested with ISO 46 Hydraulic Oil. Inlet air pressures: A = 6.9 bar (100 psi) B = 4.8 bar (70 psi) C = 2.8 bar (40 psi).



	3:1 LD OIL PUMP	5:1 LD OIL PUMP	50:1 LD GREASE PUMP
Maximum Fluid Working Pressure	31 bar (450 psi, 3.10MPa)	51.7 bar (750 psi, 5.17 MPa)	517 bar (7500 psi, 517 MPa)
Fluid Pressure Ratio	3:1	5:1	50:1
Suction Lift (feet of oil)	10	10	—
Air Operation Range	1.37 to 10.3 bar (20 to 150 psi)	1.37 to 10.3 bar (20 to 150 psi)	1.37 to 10.3 bar (20 to 150 psi)
Recommended Air Pressure (for optimum life)	< 8.6 bar (125 psi, 0.86 MPa)	< 8.6 bar (125 psi, 0.86 MPa)	< 8.6 bar (125 psi, 0.86 MPa)
Max Recommended Pump Speed	120 cycles per minute	180 cycle per minute	120 cycle per minute
Cycles Per l/kg (Gallon/pound)	7 cycles per liter (29 cycles per gallon)	10 cycles per liter (37 cycles per gallon)	103 cycles per kg (47 cycles per pound)
Recommended Pump Speed (for maximum life)	75 cycles per minute or lower	75 cycles per minute or lower	60 cycles per minute or lower
Wetted Parts	Zinc plated carbon, steel, aluminum, nitrile, polyurethane, nickel plated aluminum		Steel, brass, nitrile rubber, polyurethane, UHMWPE, acetal
Sound Pressure Level	72.9 dB(a)	72.9 dB(a)	72.9 dB(a)
Sound Power Level	82 dB(a)	82 dB(a)	82 dB(a)
Approximate Weight	3.2 kg	3.5 kg	5.1 kg / 6.8 kg / 7.7 kg
Air Inlet	1/4"	1/4"	1/4"
Fluid Inlet	1"	1"	Priming Piston
Fluid Outlet	1/2"	1/2"	1/4"
Free Flow*	34 lpm	25 lpm	1,87 kg/min

*Free flow at 10.3 bar (150 psi) air inlet pressure, using SAE 20 oil at 21 °C (70° F)

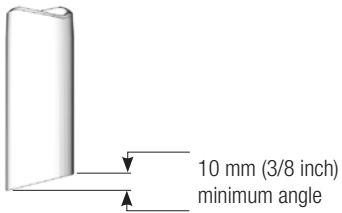
Oil & Grease Pumps

Technical specifications

Dimensions

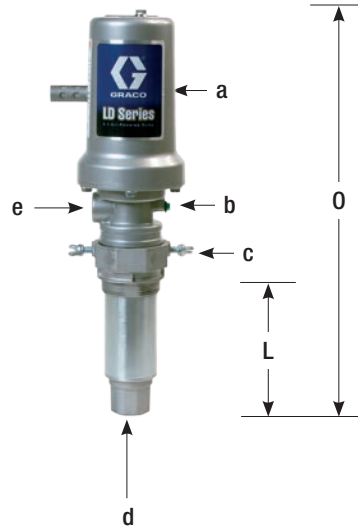
Model	L Length	O Overall Length
Universal Pump Only	175 mm (6.9 in)	406 mm (16 in)
Multi*	1076 mm (42.4 in)	1307 mm (51.5 in)
Drum	907 mm (35.7 in)	1138 mm (44.8 in)
Tote	1087 mm (42.8 in)	1318 mm (51.9 in)

- a = 1/4 inch air inlet
- b = ground screw
- c = 2 inch npt bung adapter
- d = 1 inch fluid inlet
- e = 1/2 inch fluid outlet

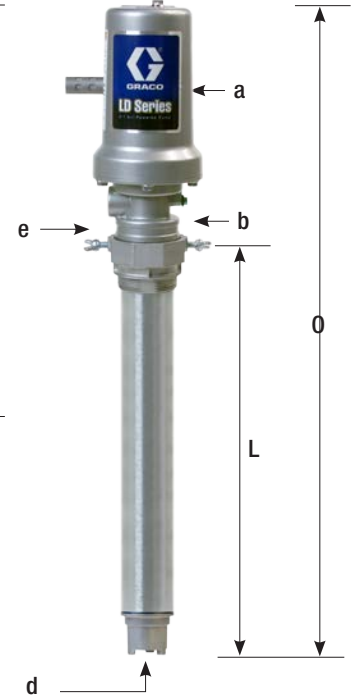


* Multi down tube is angle cut to the desired length as required

LD Series
3:1/5:1 Oil



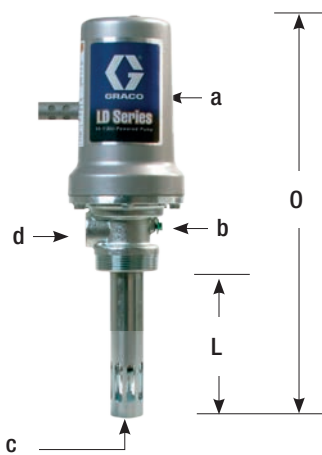
LD Series
3:1/5:1 Oil Multi/Drum/Tote



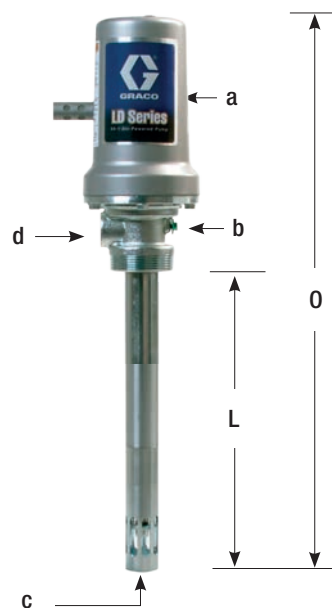
Model	L Length	O Overall Length
10-40 kg Drum	370 mm (14.5 in)	600 mm (23.6 in)
30-110 kg Drum	715 mm (28.1 in)	945 mm (37.2 in)
180 kg Drum	915 mm (36 in)	1145 mm (45 in)

- a = 1/4 inch air inlet
- b = ground screw
- c = priming piston
- d = 1/4 inch fluid outlet

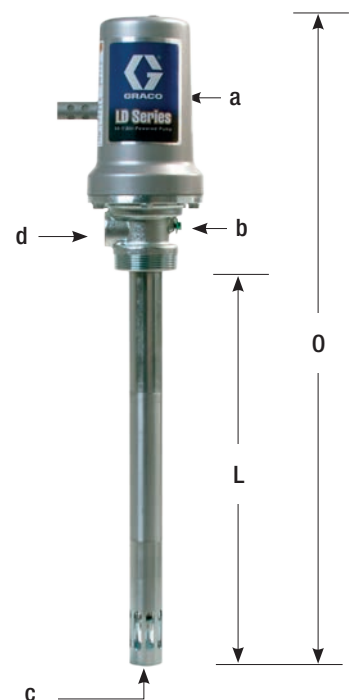
LD Series
10-40 kg Drum



LD Series
30-110 kg Drum



LD Series
180 kg Drum



Oil Pumps and Packages WITHOUT Reels

3:1 BARE OIL PUMPS

BSPP	BSPT	NPT	DESCRIPTION
24G577	24G578	24G576	LD Pump, 3:1 Universal with bung adapter
24G580	24G581	24G579	LD Pump, 3:1 Pump - Multi-length
24G583	24G584	24G582	LD Pump, 3:1 Pump - 200L drum
24G586	24G587	24G585	LD Pump, 3:1 Pump - 1040 liter IBC



5:1 BARE OIL PUMPS

BSPP	BSPT	NPT	DESCRIPTION
24G589	24G590	24G588	LD Pump, 5:1 Universal with bung adapter
24G592	24G593	24G591	LD Pump, 5:1 Pump Multi-length
24G595	24G596	24G594	LD Pump, 5:1 Pump 200L drum
24G598	24G599	24G597	LD Pump, 5:1 Pump - 1040 liter IBC



BARE GREASE PUMPS

BSPP	BSPT	NPT	DESCRIPTION
24G601	24G602	24G600	LD Pump, 50:1 - 10-40kg
24G604	24G605	24G603	LD Pump, 50:1 - 30-110kg
24G607	24G608	24G606	LD Pump, 50:1 - 180kg



Use flexible Bung Adapter 24P623 closed top drums
 Use LD cover for open top drums

LD Meters

Technical specifications

LDM5 Manual Dispense Meter



Two Models to Choose From

- LDM5 with inlet boot, trigger guard and rigid extension with thermal compensating nozzle
- LDM5 with flexible extension and automatic nozzle

LDP5 Preset Dispense Meter



Two Models to Choose From

- LDP5 preset dispense model with inlet boot, trigger guard and rigid extension with thermal compensating nozzle
- LDP5 preset dispense model with flexible extension and automatic nozzle

Fluid Extension Kits

- Standard rigid extension kit and automatic thermal compensating nozzle
- Optional flexible and gear lube extensions available

Operator Controls

- Easy to read LCD display with durable switches for long life

Meter Body

- Rugged engineered material for superior impact resistance and long life
- Ergonomically-designed handle for optimum comfort

Fluid Inlet Screen

- Replaceable internal inlet screen protects meter from contaminants

Trigger

- Two-finger trigger
- LDP5 models have latching trigger

Trigger Guard and Boot

- Protects finishes from scratching
- Black boot and guard is standard, also available in red, blue, green and yellow

LDP5 Preset Model Shown

Flow range ⁽¹⁾	0.4 to 19 lpm (0.1 to 5 gpm)
Max. working pressure	69 bar (1000 psi)
Units of measure	Quarts, pints, gallons, liters (factory set to quarts)
Weight	1.36 kg (3 lbs)
Inlet	1/2 in npt
Outlet	3/8"
Operating temperature	0°C to 49°C (32°F to 120°F)
Storage temperature	-34°C to -49°C (-30°F to 120°F)
Battery	9V alkaline
Battery life	LDP5 - six months with alkaline LDM5 - one year with alkaline

1. Tested in 10W oil at 70°F. Flow rates vary with fluid pressure, temperature, viscosity, inlet fitting and nozzle type.

Wetted Parts	sst, nitrile rubber, zinc, cs, lcp
Meter pressure loss ⁽¹⁾	6.21 bar @ 18.9 lpm (90 psi @ 5 gpm)
Accuracy ⁽²⁾	±0.5%
Dimensions (w/o extension)	28cm x 8.3cm x 8.3cm (11 in L x 3.25 in W x 3.25 in H)
Maximum totalizer	99,999 gallons or liters
Max. recorded dispense	999.99 units
Max preset volume	99.99 units (LDP5 only)
Warranty	5 years (2 years electronics)
Instruction manual	312668

2. @ 9.5 lpm (2.5 gpm) @ 21°C (70°F) with 10 wt. oil and 3.8 l (1 gal) dispensed. May require re-calibration. Out-of-box accuracy ±1.25%.

Engineered for performance

Ordering Information LD Series Meters

LDM5 MANUAL DISPENSE ELECTRONIC METERS, 19 LPM OR LESS

NPT	BSPP	BSPT	Description
255751	24F887	24F881	1/2 in swivel, flexible extension and automatic nozzle for oil and anti-freeze
256215	24F888	24F882	1/2 in swivel, rigid extension and automatic nozzle for oil and anti-freeze*
258693	24F891	24F885	1/2 in swivel, flexible extension and automatic nozzle for oil and anti-freeze*

LDP5 PRESET DISPENSE ELECTRONIC METERS, 19 LPM OR LESS

NPT	BSPP	BSPT	Description
255277	24F889	24F883	1/2 in swivel, flexible extension and automatic nozzle for oil and anti-freeze
256216	24F890	24F884	1/2 in swivel, rigid extension, trigger guard/boot, and automatic nozzle for oil and anti-freeze*
258694	24F892	24F886	1/2 in swivel, flexible extension and automatic nozzle for oil and anti-freeze*

*including swivel cover and trigger guard



Ordering Information

Accessories for LD Series Meters

NOZZLE EXTENSION KITS FOR LD SERIES METERS

Part Number	Description
239949	Automatic thermal compensating nozzle with rigid extension for oil and anti-freeze
239951	Automatic thermal compensating nozzle with flexible extension for oil and anti-freeze
239950	Automatic thermal compensating nozzle with rigid extension for gear lube
239829	Automatic thermal compensating nozzle for oil and anti-freeze without extension
238371	Automatic thermal compensating gear lube nozzle without extension

*Economical extension used on models 255751 and 255277



INLET SWIVEL COVERS FOR LD METERS (NPT/BSPT)

191294	Black
191287	Red
191288	Blue
191289	Green
191295	Yellow

* BSPP threads only black: 125962

TRIGGER GUARDS FOR LD SERIES METERS

247759	Black
243835	Red
243836	Blue
243837	Green
247760	Yellow

FILTERS FOR LD SERIES METERS

255884	Filter kit includes (10) filters/strainers (114017) and (10) O-rings (109018)
--------	---

Simple to Install, Mounts in Minutes!

LD Enclosed

Hose Reels



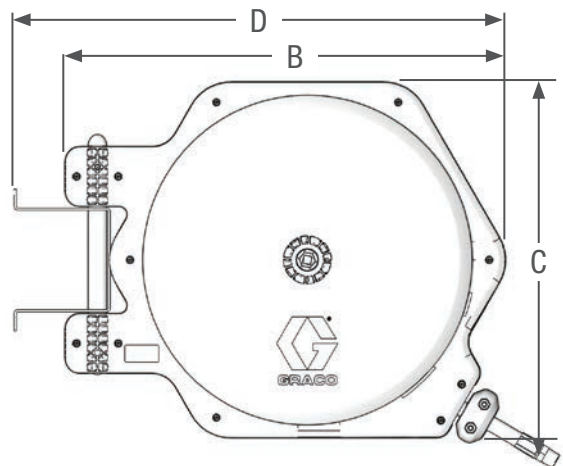
Enclosed hose reel comes with ceiling/wall mounting swivel bracket. Required inlet hose kit sold separately.

Features

- Enclosed for safety and protection, extends hose life
- Flexible mounting options-hang on wall or ceiling; bench, table or tank top-mount options available
- Full-flow swivel maximizes fluid flow with minimal pressure drop
- Easy spring tension adjustment, increase or decrease pressure spring tension while reel is pressurized
- 5 year warranty (1 year on the hose)

Dimensions

LD SERIES	
A	180 mm (7.1 in)
B	585 mm (23.0 in)
C	470 mm (18.5 in)
D	650 mm (25.6 in)



Ordering Information

LD Reels + Inlet Hose Kit

		BSPG (G)	BSPT (R)	NPT	Pressure (bar)	Fluid	Hose	
							ID (IN)	Length (m)
ENCLOSED REEL	1 Wall Mount Swivel	24J258	24F744	24F735	17.2	Air	1/4	11
		24J259	24F745	24F736	17.2	Air	1/4	15
		24J260	24F746	24F737	17.2	Air / Water	3/8	11
		24J261	24F747	24F738	17.2	Air / Water	3/8	15
		24J262	24F748	24F739	17.2	Air / Water	1/2	11
		24J263	24F749	24F740	17.2	Air / Water	1/2	14
		24J264	24F750	24F741	124	Oil	3/8	11
		24J265	24F751	24F742	124	Oil	1/2	11
		24J266	24F752	24F743	345	Grease	1/4	11
	2 Wall Mount Fixed	24J267	24F762	24F753	17.2	Air	1/4	11
		24J268	24F763	24F754	17.2	Air	1/4	15
		24J269	24F764	24F755	17.2	Air / Water	3/8	11
		24J270	24F765	24F756	17.2	Air / Water	3/8	15
		24J271	24F766	24F757	17.2	Air / Water	1/2	11
		24J272	24F767	24F758	17.2	Air / Water	1/2	14
		24J273	24F768	24F759	124	Oil	3/8	11
		24J274	24F769	24F760	124	Oil	1/2	11
		24J275	24F770	24F761	345	Grease	1/4	11
	3 Bench Mount Swivel	24J276	24F780	24F771	17.2	air	1/4	11
		24J277	24F781	24F772	17.2	air	1/4	15
		24J278	24F782	24F773	17.2	air / Water	3/8	11
		24J279	24F783	24F774	17.2	air / Water	3/8	15
		24J280	24F784	24F775	17.2	air / Water	1/2	11
		24J281	24F785	24F776	17.2	air / Water	1/2	14
		24J282	24F786	24F777	124	oil	3/8	11
		24J283	24F787	24F778	124	oil	1/2	11
		24J284	24F788	24F779	345	grease	1/4	11

LD Reels without Inlet Hose Kit (order seperately)

ENCLOSED REEL	1 Wall Mount Swivel	-	HEL13D	-	17.2	Air	1/4	11
		-	HEL15D	-	17.2	Air	1/4	15
		-	HEL23D	-	17.2	Air / Water	3/8	11
		-	HEL25D	-	17.2	Air / Water	3/8	15
		-	HEL33D	-	17.2	Air / Water	1/2	11
		-	HEL34D	-	17.2	Air / Water	3/8	11
		-	HEM23D	-	124	Oil	1/2	11
		-	HEM33D	-	124	Oil	1/4	11
		-	HEH13D	-	345	Grease	1/4	11
	2 Wall Mount Fixed	-	24M275	-	52	Oil	1/2	11
		-	24M276	-	52	Oil	1/2	11
		-	24M277	-	10.5	Air	1/2	15

1. includes wall mount bracket kit 24G866
2. includes fixed mount bracket kit 24G865
3. includes bench mount bracket kit 24C772

LD Enclosed Hose Reel Accessories



Tote, Bench or Wall Mount Post 24C772



Ceiling/Wall Stationary Bracket 24E506

Mounting Brackets

Includes all parts to mount reel on wall or ceiling, bench, table or tank top-mount

Part Number	Mounting Options
24C772	Tote, Bench or Wall Mount Post
24E506	Fixed Installation Kit



Ceiling/Wall Swivel Mount (standard)



Ceiling/Wall Stationary Mount (optional)



Tote, Bench or Wall Mount Post (optional)

Hose Inlet Kits for LD Enclosed Hose Reel

Thread	Part Number	Medium	Inlet/Outlet IN (male)
BSPT (R)	24C437	Air	1/4
	24C438	Air / Water	3/8 and 1/2"
	24C440	Oil	3/8
	24C441	Oil	1/2
	24C442	Grease	1/4
NPT	24C443	Air	1/4
	24C444	Air / Water	3/8 and 1/2"
	24C537	Oil	3/8
	24C538	Oil	1/2
	24C539	Grease	1/4
BSPP (G)	24J253	Air	1/4
	24J254	Air / Water	3/8 and 1/2"
	24J256	Oil	3/8
	24J257	Oil	1/2
	24J253	Grease	1/4

Length: 915mm
*Adapters included



Everyday Workhorse Metal Spool for Extra Durability

Hose Reels

SD Steel Spool



Single pedestal with metal spool. Inlet Hose Kit sold separately.

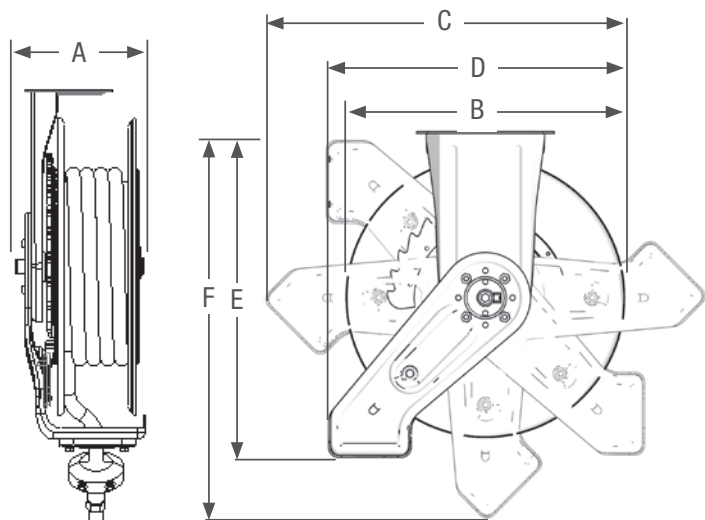
Features

- Designed for daily use applications such as dealerships, fleet service and maintenance facilities
- Structurally engineered frame made from high strength steel won't bend or flex
- Long-lasting spring provides constant spring torque through the entire range of motion
- Flexible positioning of guide arm for mounting on bench or ceiling, wall or utility truck
- Steel spool for demanding applications
- Open swivel ports ensure high fluid flow with minimal pressure loss
- Enclosure kits available-ideal when appearance and protection is important
- Available in six colours. Metallic blue is standard.
- 7 year warranty (1 year on the hose)

Dimensions

SD SERIES SIZE 10	
A	177 mm (7.0 in)
B	412 mm (16.2 in)
C	533 mm (21.0 in)
D	435 mm (17.1 in)
E	495 mm (19.5 in)
F	571 mm (22.5 in)

SD SERIES SIZE 20	
A	177 mm (7.0 in)
B	460 mm (18.1 in)
C	594 mm (23.4 in)
D	488 mm (19.2 in)
E	554 mm (21.8 in)
F	640 mm (25.2 in)



SD Hose Reel

	BSPP (G)	BSPT (R)	NPT	Fluid	Hose		Colour
					ID (in)	Length (m)	
SD 10	HPL23K	HPL23R	HPL23B	Air / water	3/8	11	Metallic blue
	HPL25K	HPL25R	HPL25B	Air / water	3/8	15	Metallic blue
	HPM33K	HPM33R	HPM33B	Oil	1/2	11	Metallic blue
	HPH23K	HPH23R	HPH23B	Grease	3/8	11	Metallic blue

	BSPP (G)	BSPT (R)	NPT	Fluid	Hose		Colour
					ID (in)	Length (m)	
	HPL65K	HPL65R	HPL65B	Air / water	1/2	15	Metallic blue
SD 20	HPM65K	HPM65R	HPM65B	Oil	1/2	15	Metallic blue
	HPH55K	HPH55R	HPH55B	Grease	3/8	15	Metallic blue

Inlet Hose Kit (140 bar, 1/2") sold seperately:

Oil: 218549

Grease: 218550

Please note: this is a brief selection of our SD models; for other models, please check our SD Range Catalogue 340309

Oil Dispense Packages

3:1 OIL WALL PACKAGES

→ → → 200L Drum - No Meter - No Reel

BSPP	BSPT	NPT	DESCRIPTION
24H690	24H691	24H689	NON CE
Includes:			
24G577	24G578	24G576	Universal oil pump 3:1
24F936	24F937	24F935	940mm Down tube with 2m suction hose
24F910	24F910	24F910	Wall mount bracket
24H693	24H694	24H692	CE
Includes:			
24G577	24G578	24G576	Universal oil pump 3:1
24F936	24F937	24F935	940mm Down tube with 2m suction hose
24F910	24F910	24F910	Wall mount bracket
125041	125041	110223	2-way vented valve
24H419	24H419	24H420	Air pressure regulator

This package is for use with drums. The wall mounted pump and the suction assembly allows a fast and clean drum replacement

5:1 OIL WALL PACKAGES

→ → → 200L Drum - No Meter - No Reel

BSPP	BSPT	NPT	DESCRIPTION
24H837	24H838	24H836	NON CE
Includes:			
24G589	24G590	24G588	Universal oil pump 5:1
24F936	24F937	24F935	940mm Down tube with 2m suction hose
24F910	24F910	24F910	Wall mount bracket
24H840	24H841	24H839	CE
Includes:			
24G589	24G590	24G588	Universal oil pump 5:1
24F936	24F937	24F935	940mm Down tube with 2m suction hose
24F910	24F910	24F910	Wall mount bracket
125041	125041	110223	2-way vented valve
24H419	24H419	24H420	Air pressure regulator



CE version shown

Oil Dispense Packages

3:1 OIL DRUM MOUNT PACKAGES

→ → → Multi-length - No Reel

BSPB	BSPT	NPT	DESCRIPTION
24H815	24H819	24H811	LDM5 FLEX METER
Includes:			
24G577	24G578	24G576	Universal oil pump 3:1
24H610	24H609	24H608	Fluid hose kit
16F948	16F949	16F878	PVC Down tube
24F887	24F881	255751	LDM5 manual meter with flexible extension
125041	125041	110223	2-way vented valve
24H419	24H419	24H420	Air pressure regulator
24H816	24H820	24H812	LDM5 RIGID METER
Includes: idem as 24H815, 24H819, 24H811 but with			
24F888	24F882	256215	LDM5 manual meter with rigid extension
24H817	24H821	24H813	LDP5 FLEX METER
Includes: idem as 24H815, 24H819, 24H811 but with			
24F889	24F883	255277	LDP5 preset meter with flexible extension
24H818	24H822	24H814	LDP5 RIGID METER
Includes:			
24F890	24F884	256216	LDP5 preset meter with rigid extension



5:1 OIL DRUM MOUNT PACKAGES

→ → → Multi-length - No Reel

BSPB	BSPT	NPT	DESCRIPTION
24H980	24H984	24H976	LDM5 FLEX METER
Includes:			
24G589	24G590	24G588	Universal oil pump 5:1
24H610	24H609	24H608	Fluid hose kit
16F948	16F949	16F878	PVC Down tube
24F887	24F881	255751	LDM5 manual meter with flexible extension
125041	125041	110223	2-way vented valve
24H419	24H419	24H420	Air pressure regulator
24H981	24H985	24H977	LDM5 RIGID METER
Includes: idem as 24H980, 24H984, 24H976 but with			
24F888	24F882	256215	LDM5 manual meter with rigid extension
24H982	24H986	24H978	LDP5 FLEX METER
Includes: idem as 24H980, 24H984, 24H976 but with			
24F889	24F883	255277	LDP5 preset meter with flexible extension
24H983	24H987	24H979	LDP5 RIGID METER
Includes: idem as 24H980, 24H984, 24H976 but with			
24F890	24F884	256216	LDP5 preset meter with rigid extension



Oil IBC Packages WITHOUT Reels

3:1 OIL WALL MOUNT PACKAGE

→ → → Drum size 1040L - No Meter - No Reel

BSPP	BSPT	NPT	DESCRIPTION
24H699	24H700	24H698	
Includes:			
24G577	24G578	24G576	Universal oil pump 3:1
24H610	24H609	24H608	Fluid hose kit
24H667	24H668	24H666	1260mm Down tube with 2m suction hose
24F910	24F910	24F910	Wall mount bracket
125041	125041	110223	2-Way vented valve
24H419	24H419	24H420	Air pressure regulator

5:1 OIL WALL MOUNT PACKAGE

→ → → Drum size 1040L - No Meter - No Reel

BSPP	BSPT	NPT	DESCRIPTION
24H846	24H847	24H845	
Includes:			
24G589	24G590	24G588	Universal oil pump 5:1
24H610	24H609	24H608	Fluid hose kit
24H667	24H668	24H666	1260mm Down tube with 2m suction hose
24F910	24F910	24F910	Wall mount bracket
125041	125041	110223	2-Way vented valve
24H419	24H419	24H420	Air pressure regulator



Oil IBC Packages WITH Reels

3:1 OIL TOP MOUNT PACKAGE

→ → → Drum Size 1040L - LD Enclosed Reel (1/2" x 11M)

BSPB	BSPT	NPT	DESCRIPTION
24H717	24H721	24H713	LDM5 FLEX METER
Includes:			
24G577	24G578	24G576	Universal oil pump 3:1
24J493	24J494	24J492	Fluid hose kit
16F962	16F963	16F885	Down tube
24F930	24F930	24F930	Top mount bracket
24F932	24F932	24F932	Reel bracket kit
24F914	24F914	24F914	Meter tray
24J133	24F796	24H662	Enclosed hose reel, 1/2" x 11m
24F887	24F881	255751	LDM5 manual meter with flexible extension
125041	125041	110223	2-Way vented valve
24H419	24H419	24H420	Air pressure regulator
24H718	24H722	24H714	LDM5 RIGID METER
Includes: Idem as 24H717, 24H721, 24H713 but with			
24F888	24F882	256215	LDM5 manual meter with rigid extension
24H719	24H723	24H715	LDP5 FLEX METER
Includes: Idem as 24H717, 24H721, 24H713 but with			
24F889	24F883	255277	LDP5 preset meter with flexible extension
24H720	24H724	24H716	LDP5 RIGID METER
Includes: Idem as 24H717, 24H721, 24H713 but with			
24H890	24F884	256216	LDP5 Meter with rigid extension



5:1 OIL TOP MOUNT PACKAGE

→ → → Drum Size 1040L - LD Enclosed Reel (1/2" x 11m)

BSPB	BSPT	NPT	DESCRIPTION
24H883	24H887	24H879	LDM5 FLEX METER
Includes:			
24G589	24G590	24G588	Universal oil pump 5:1
24J493	24J494	24J492	Fluid hose kit
16F962	16F963	16F885	Down tube
24F930	24F930	24F930	Top mount bracket
24F932	24F932	24F932	Reel bracket kit
24F914	24F914	24F914	Meter tray
24J133	24F796	24H662	Enclosed hose reel, 1/2" x 11m
24F887	24F881	255751	LDM5 manual meter with flexible extension
125041	125041	110223	2-Way vented valve
24H419	24H419	24H420	Air pressure regulator
24H884	24H888	24H880	LDM5 RIGID METER
Includes: Idem as 24H883, 24H887, 24H879 but with			
24F888	24F882	256215	LDM5 manual meter with rigid extension
24H885	24H889	24H881	LDM5 FLEX METER
Includes: Idem as 24H883, 24H887, 24H879 but with			
24F889	24F883	255277	LDP5 preset meter with flexible extension
24H886	24H890	24H882	LDM5 RIGID METER
Includes: Idem as 24H883, 24H887, 24H879 but with			
24F890	24F884	256216	LDP5 preset meter with rigid extension



3:1 OIL SIDE MOUNT PACKAGE

→ → → Drum Size 1040L - LD Enclosed Reel (1/2" x 11M)

BSPP	BSPT	NPT	DESCRIPTION
24H741	24H745	24H737	LDM5 FLEX METER
Includes:			
24G577	24G578	24G576	Universal oil pump 3:1
24J493	24J492	24J493	Fluid hose kit
24H670	24H671	24H669	Suction hose kit
24F920	24F920	24F920	Pump bracket
24F931	24F931	24F931	Top mount bracket
24F932	24F932	24F932	Reel bracket kit
24F914	24F914	24F914	Meter tray
24J133	24F796	24H662	Enclosed hose reel, 1/2" x 11m
24F887	24F881	255751	LDM5 manual meter with flexible extension
125041	125041	110223	2-Way vented valve
24H419	24H419	24H420	Air pressure regulator
24H742	24H746	24H738	LDM5 RIGID METER
Includes: Idem as 24H741, 24H745, 24H737 but with			
24F888	24F882	256215	LDM5 manual meter with rigid extension
24H743	24H747	24H739	LDP5 FLEX METER
Includes: Idem as 24H741, 24H745, 24H737 but with			
24F889	24F883	255277	LDP5 preset meter with flexible extension
24H744	24H748	24H740	LDP5 RIGID METER
Includes: Idem as 24H741, 24H745, 24H737 but with			
24F890	24F884	256216	LDP5 preset meter with rigid extension



5:1 OIL SIDE MOUNT PACKAGE

→ → → Drum Size 1040L - LD Enclosed Reel (1/2" x 11m)

BSPP	BSPT	NPT	DESCRIPTION
24H907	24H911	24H903	LDM5 FLEX METER
Includes:			
24G589	24G590	24G588	Universal oil pump 5:1
24J493	24J494	24J492	Fluid hose kit
24H670	24H671	24H669	Suction hose kit
24F920	24F920	24F920	Pump bracket
24F931	24F931	24F931	Top mount bracket
24F932	24F932	24F932	Reel bracket kit
24F914	24F914	24F914	Meter tray
24J133	24F796	24H662	Enclosed hose reel, 1/2" x 11m
24F887	24F881	255751	LDM5 manual meter with flexible extension
125041	125041	110223	2-way vented valve
24H419	24H419	24H420	Air pressure regulator
24H908	24H912	24H904	LDM5 RIGID METER
Includes: idem as 24H741, 24H745, 24H737 but with			
24F888	24F882	256215	LDM5 manual meter with rigid extension
24H909	24H913	24H905	LDP5 FLEX METER
Includes: idem as 24H741, 24H745, 24H737 but with			
24F889	24F883	255277	LDP5 preset meter with flexible extension
24H910	24H914	24H906	LDP5 RIGID METER
Includes: idem as 24H907, 24H911, 24H903 but with			
24F890	24F884	256216	LDP5 preset meter with rigid extension



Oil Cart Mount Packages WITHOUT Reels

3:1 OIL CART MOUNT PACKAGES

→ → → No Reel

BSPP	BSPT	NPT	DESCRIPTION
24H790	24H794	24H786	LDM5 FLEX METER
Includes:			
24G577	24G578	24G576	Universal oil pump 3:1
24J493	24J494	24J492	Fluid hose kit
16F950	16F951	16F886	Metal Down tube
24F915	24F915	24F915	Cart
24F887	24F881	255751	LDM5 manual meter with flexible extension
125041	125041	110223	2-Way vented valve
24H419	24H419	24H420	Air pressure regulator
24H791	24H795	24H787	LDM5 RIGID METER
Includes: Idem as 24H790, 24H794, 24H786 but with			
24F888	24F882	256215	LDM5 manual meter with rigid extension
24H792	24H796	24H788	LDP5 FLEX METER
Includes: Idem as 24H790, 24H794, 24H786 but with			
24F889	24F883	255277	LDP5 preset meter with flexible extension
24H793	24H797	24H789	LDP5 RIGID METER
Includes: Idem as 24H790, 24H794, 24H786 but with			
24F890	24F884	256216	LDP5 preset meter with rigid extension



5:1 OIL CART MOUNT PACKAGES

→ → → No Reel

BSPP	BSPT	NPT	DESCRIPTION
24H956	24H960	24H952	LDM5 FLEX METER
Includes:			
24G589	24G590	24G588	Universal oil pump 5:1
24J493	24J494	24J492	Fluid hose kit
16F950	16F951	16F886	Metal Down tube
24F915	24F915	24F915	Cart
24F887	24F881	255751	LDM5 manual meter with flexible extension
125041	125041	110223	2-Way vented valve
24H419	24H419	24H420	Air pressure regulator
24H957	24H961	24H953	LDM5 RIGID METER
Includes: Idem as 24H956, 24H960, 24H952 but with			
24F888	24F882	256215	LDM5 manual meter with rigid extension
24H958	24H962	24H954	LDP5 FLEX METER
Includes: Idem as 24H790, 24H794, 24H786 but with			
24F889	24F883	255277	LDP5 preset meter with flexible extension
24H959	24H963	24H955	LDP5 RIGID METER
Includes: Idem as 24H790, 24H794, 24H786 but with			
24F890	24F884	256216	LDP5 preset meter with rigid extension



Oil Cart Mount Packages WITH Reels

3:1 OIL CART MOUNT PACKAGES

→ → → LD Enclosed Reel (1/2" x 11M)

BSPP	BSPT	NPT	DESCRIPTION
24H766	24H770	24H762	LDM5 FLEX METER
Includes:			
24G577	24G578	24G576	Universal oil pump 3:1
24J493	24J494	24J492	Fluid hose kit
16F950	16F951	16F886	Metal Down tube
24F915	24F915	24F915	Cart
24J133	24F796	24H662	Enclosed hose reel, 1/2" x 11m
24F887	24F881	255751	LDM5 manual meter with flexible extension
125041	125041	110223	2-Way vented valve
24H419	24H419	24H420	Air pressure regulator
24H767	24H771	24H763	LDM5 RIGI METER
Includes:			
Idem as 24H766, 24H770, 24H762 but with			
24F888	24F882	256215	LDM5 manual meter with rigid extension
24H768	24H772	24H764	LDP5 FLEX METER
Includes:			
Idem as 24H755, 24H759, 24H751 but with			
24F889	24F883	255277	LDP5 preset meter with flexible extension
24H769	24H773	24H765	LDP5 RIGID METER
Includes:			
Idem as 24H766, 24H770, 24H762 but with			
24F890	24F884	256216	LDP5 preset meter with rigid extension



5:1 OIL CART MOUNT PACKAGES

→ → → LD Enclosed Reel (1/2" x 11m)

BSPP	BSPT	NPT	DESCRIPTION
24H931	24H935	24H927	LDM5 FLEX METER
Includes:			
24G589	24G590	24G588	Universal oil pump 5:1
24J493	24J494	24J492	Fluid hose kit
16F950	16F951	16F886	Metal Down tube
24F915	24F915	24F915	Cart
24J133	24F796	24H662	Enclosed hose reel, 1/2" x 11m
24F887	24F881	255751	LDM5 manual meter with flexible extension
125041	125041	110223	2-Way vented valve
24H419	24H419	24H420	Air pressure regulator
24H932	24H936	24H928	LDM5 RIGID METER
Includes: Idem as 24H931, 24H935, 24H927 but with			
24F888	24F882	256215	LDM5 manual meter with rigid extension
24H933	24H937	24H929	LDP5 FLEX METER
Includes: Idem as 24H931, 24H935, 24H927 but with			
24F889	24F883	255277	LDP5 preset meter with flexible extension
24H934	24H938	24H930	LDP5 RIGID METER
Includes: Idem as 24H931, 24H935, 24H927 but with			
24F890	24F884	256216	LDP5 preset meter with rigid extension



Grease Pumps and Packages

50:1 GREASE DRUM PACKAGES 10-40KG

BSPP	BSPT	NPT	DESCRIPTION
24R345	24R346	24R344	GREASE DRUM PACKAGE
24G601	24G602	24G600	Grease pump 50:1
24H674	24H673	24H672	Fluid hose kit
24H404	24H400	242056	Grease valve
24H615	24H614	202577	Z-swivel
125041	125041	110223	2-way vented valve
24H419	24H419	24H420	Air pressure regulator
24P623	24P623	24P623	Flexible bung adapter
24N921	24N921	24N921	Drum cover small 10-30kg, ID 295 mm



BSPP	BSPT	NPT	DESCRIPTION
24J034	24J035	24J033	GREASE DRUM PACKAGE
24G601	24G602	24G600	Grease pump 50:1
24H674	24H673	24H672	Fluid hose kit
24H404	24H400	242056	Grease valve
24H615	24H614	202577	Z-swivel
125041	125041	110223	2-way vented valve
24H419	24H419	24H420	Air pressure regulator
24P623	24P623	24P623	Flexible bung adapter
24F904	24F904	24F904	Drum cover medium and large 10-40 kg, ID 322 mm

BSPP	BSPT	NPT	DESCRIPTION
24R348	24R349	24R347	GREASE DRUM PACKAGE
24G601	24G602	24G600	Grease pump 50:1
24H674	24H673	24H672	Fluid hose kit
24H404	24H400	242056	Grease valve
24H615	24H614	202577	Z-swivel
125041	125041	110223	2-way vented valve
24H419	24H419	24H420	Air pressure regulator
24P623	24P623	24P623	Flexible bung adapter
24N922	24N922	24N922	Drum cover 10-40kg, ID 340 mm

To order with package:

FOLLOWER PLATES	RECOMMENDED FIT (MM)	PLATE OD (MM)
24N926 Follower plate small	250 - 290*	200
24P255 Follower plate medium	274 - 313*	200
24N927 Follower plate large	282 - 320*	245
24N928 Follower plate extra large	295 - 345*	245
24F901 Follower plate 40 lb (U.S. style drums)	290*	245

* Outside diameter wiper - Central hole: 30mm



50:1 GREASE DRUM PACKAGES 30-110KG

BSPP	BSPT	NPT	DESCRIPTION
24R354	24R355	24R353	GREASE DRUM PACKAGE
24G604	24G605	24G603	Grease pump 50:1
24H674	24H673	24H672	Fluid hose kit
24H404	24H400	242056	Grease valve
24H615	24H614	202577	Z-swivel
125041	125041	110223	2-way vented valve
24H419	24H419	24H420	Air pressure regulator
24P623	24P623	24P623	Flexible bung adapter
24F905	24F905	24F905	Drum cover 30-70 kg, ID 389 mm



BSPP	BSPT	NPT	DESCRIPTION
24J040	24J041	24J039	GREASE DRUM PACKAGE
24G604	24G605	24G603	Grease pump 50:1
24H674	24H673	24H672	Fluid hose kit
24H404	24H400	242056	Grease valve
24H615	24H614	202577	Z-swivel
125041	125041	110223	2-way vented valve
24H419	24H419	24H420	Air pressure regulator
24P623	24P623	24P623	Flexible bung adapter
24N924	24N924	24N924	Drum cover 50-110 kg, ID 450 mm

50:1 GREASE CART MOUNT PACKAGES - NO REEL

BSPP	BSPT	NPT	DESCRIPTION
24R357	24R358	24R356	GREASE CART MOUNT PACKAGE
Includes:			
24G604	24G605	24G603	Grease pump 50:1
24H674	24H673	24H672	Fluid hose kit
24H404	24H400	242056	Grease valve
24H615	24H614	202577	Z-swivel
125041	125041	110223	2-way vented valve
24H419	24H419	24H420	Air pressure regulator
24P623	24P623	24P623	Flexible bung adapter
24F905	24F905	24F905	Drum cover 30-70 kg, ID 389 mm
24H422	24H422	24H422	Cart



Grease Packages

BSPB	BSPT	NPT	DESCRIPTION
24J052	24J053	24J051	GREASE CART MOUNT PACKAGE
Includes:			
24G604	24G605	24G603	Grease pump 50:1
24H674	24H673	24H672	Fluid hose kit
24H404	24H400	242056	Grease valve
24H615	24H614	202577	Z-swivel
125041	125041	110223	2-way vented valve
24H419	24H419	24H420	Air pressure regulator
24P623	24P623	24P623	Flexible bung adapter
24N924	24N924	24N924	Drum cover 50-110 kg, ID 450 mm
24H422	24H422	24H422	Cart

BSPB	BSPT	NPT	DESCRIPTION
24R360	24R361	24R359	GREASE CART MOUNT PACKAGE WITH REEL
Includes:			
24G604	24G605	24G603	Grease pump 50:1
24J499	24J500	24J498	Fluid hose kit
24H404	24H400	242056	Grease valve
24H615	24H614	202577	Z-swivel
125041	125041	110223	2-way vented valve
24H419	24H419	24H420	Air pressure regulator
24P623	24P623	24P623	Flexible bung adapter
24F905	24F905	24F905	Drum cover 30-70 kg, ID 389 mm
24H422	24H422	24H422	Cart
24J134	24F797	24H663	Hose reel (1/4" x 11m)

BSPB	BSPT	NPT	DESCRIPTION
24J064	24J065	24J063	GREASE CART MOUNT PACKAGE WITH REEL
Includes:			
24G604	24G605	24G603	Grease pump 50:1
24J499	24J500	24J498	Fluid hose kit
24H404	24H400	242056	Grease valve
24H615	24H614	202577	Z-swivel
125041	125041	110223	2-way vented valve
24H419	24H419	24H420	Air pressure regulator
24P623	24P623	24P623	Flexible bung adapter
24N924	24N924	24N924	Drum cover 50-110 kg, ID 450 mm
24H422	24H422	24H422	Cart
24J134	24F797	24H663	Hose reel (1/4" x 11m)

FOLLOWER PLATES	RECOMMENDED FIT (MM)	PLATE OD (MM)
24N929	360 - 375*	310
24N930	379 - 410*	329
24F902	375*	329

* Outside diameter wiper
Central Hole: 30mm



50:1 GREASE DRUM PACKAGES 180KG

BSPP	BSPT	NPT	DESCRIPTION
24J046	24J047	24J045	GREASE DRUM PACKAGE
Includes:			
24G607	24G608	24G606	Grease pump 50:1
24J499	24J500	24J498	Fluid hose kit
24H404	24H400	242056	Grease valve
24H615	24H614	202577	Z-swivel
125041	125041	110223	2-way vented valve
24H419	24H419	24H420	Air pressure regulator
24P623	24P623	24P623	Flexible bung adapter
24F906	24F906	24F906	Drum cover 180 kg, ID 595 mm



BSPP	BSPT	NPT	DESCRIPTION
24J058	24J059	24J057	GREASE CART MOUNT PACKAGE
Includes:			
24G607	24G608	24G606	Grease pump 50:1
24J499	24J500	24J498	Fluid hose kit
24H404	24H400	242056	Grease valve
24H615	24H614	202577	Z-swivel
125041	125041	110223	2-way vented valve
24H419	24H419	24H420	Air pressure regulator
24P623	24P623	24P623	Flexible bung adapter
24F906	24F906	24F906	Drum cover 180 kg, ID 595 mm
24F915	24F915	24F915	Cart



BSPP	BSPT	NPT	DESCRIPTION
24J070	24J071	24J069	GREASE CART MOUNT PACKAGE WITH REEL
Includes:			
24G607	24G608	24G606	Grease pump 50:1
24J499	24J500	24J498	Fluid hose kit
24H404	24H400	242056	Grease valve
24H615	24H614	202577	Z-swivel
125041	125041	110223	2-way vented valve
24H419	24H419	24H420	Air pressure regulator
24P623	24P623	24P623	Flexible bung adapter
24F906	24F906	24F906	Drum cover 180 kg, ID 595 mm
24F915	24F915	24F915	Cart
24J134	24F797	24H663	Hose reel (1/4" x 11m)



FOLLOWER PLATES

24F903	24F903	24F903	Follower plate 180 kg
--------	--------	--------	-----------------------

FOLLOWER PLATES				WIPER OD (MM)	PLATE OD (MM)
24N929	24F903	24F903	Follower plate 180 kg	595	530

Central Hole: 30mm



Accessories LD Packages

BSPP	BSPT	NPT	DESCRIPTION
SUCTION KITS			
24F936	24F937	24F935	LD oil pump suction hose kit for 200L drum - incl. bung adapter, foot valve and 1,8m suction hose
24H667	24H668	24H666	LD oil pump suction hose kit for 1040L IBC - incl. bung adapter, foot valve and 1,8m suction hose
24H670	24H671	24H669	LD Oil Pump Suction hose kit and adapter for mounting pump to the side of IBC tote and dispensing from drain - incl. suction hose, elbow fitting and union fitting

BSPP	BSPT	NPT	DESCRIPTION
HOSE AND FITTING KITS - OIL			
24H835	24H834	24H833*	4,5m LD pump fluid hose kit. Includes 1/2" x 4,5m fluid hose, 3/8" x 1,8m Air hose
24H610	24H609	24H608*	1,8m LD pump fluid hose kit. Includes 1/2" x 1,8m fluid hose, 3/8" x 1,8m Air hose

* also swivel (157705) and union fitting (156684)

BSPP	BSPT	NPT	DESCRIPTION
HOSE AND FITTING KITS - GREASE			
24H674	24H673	24H672	1,8m LD pump grease hose kit. Includes 1/4" x 1,8m fluid hose, 3/8" x 1,8m Air hose, and fittings
24J499	24J500	24J498	1,8m LD pump grease hose kit. Includes 1/4" x 1,8m fluid hose, 3/8" x 1,8m Air hose, and fittings

Tote Mount Accessories

PART NUMBER	DESCRIPTION
24F914	Meter drip tray for mounting to the side of IBC tote
24F932	LD Reel bracket for mounting reel to IBC top mount tote bracket (24F930 & 24F920)
24F920	Tote mounting bracket to mount pump outside of IBC tote. Pump mounting bracket is not included.
24F930	Top of tote mounting bracket. For mounting LD pump and reel bracket on top of IBC tote.
24F931	Bracket for mounting LD reel bracket on top of the IBC tote.



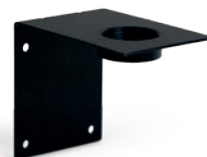
Carts

PART NUMBER	DESCRIPTION
24F915	Drum cart with pneumatic wheels for 180kg drums. Includes chain for securing drum to cart.
24H422	Drum cart with pneumatic wheels for 55kg drums. Includes chain for securing drum to cart.



Mounting Hardware

PART NUMBER	DESCRIPTION
24F910	LD pump wall mounting bracket. For use with LD 3:1 & 5:1 pumps.



Bung Adapter

PART NUMBER	DESCRIPTION
24F918	Bung adapter for LD 3:1 & 5:1 pumps
24P623	Flexible bung adapter for 50:1 pumps grease pumps



ABOUT GRACO

Founded in 1926, Graco is a world leader in fluid handling systems and components. Graco products move, measure, control, dispense and apply a wide range of fluids and viscous materials used in vehicle lubrication, commercial and industrial settings.

The company's success is based on its unwavering commitment to technical excellence, world-class manufacturing and unparalleled customer service. Working closely with qualified distributors, Graco offers systems, products and technology that set the quality standard in a wide range of fluid handling solutions. Graco provides equipment for spray finishing, protective coating, paint circulation, lubrication, and dispensing sealants and adhesives, along with power application equipment for the contractor industry. Graco's ongoing investment in fluid management and control will continue to provide innovative solutions to a diverse global market.

GRACO LOCATIONS

MAILING ADDRESS

P.O. Box 1441
Minneapolis, MN 55440-1441
Tel: 612-623-6000
Fax: 612-623-6777

AMERICAS

MINNESOTA

Worldwide Headquarters
Graco Inc.
88-11th Avenue N.E.
Minneapolis, MN 55413

EUROPE

BELGIUM

European Headquarters
Graco BVBA
Industrieterrein-Oude Bunders
Slakweidestraat 31
3630 Maasmechelen,
Belgium
Tel: 32 89 770 700
Fax: 32 89 770 777

ASIA PACIFIC

AUSTRALIA

Graco Australia Pty Ltd.
Suite 17, 2 Enterprise Drive
Bundoora, Victoria 3083
Australia
Tel: 61 3 9468 8500
Fax: 61 3 9468 8599

CHINA

Graco Hong Kong Ltd.
Shanghai Representative Office
Building 7
1029 Zhongshan Road South
Huangpu District
Shanghai 200011
The People's Republic of China
Tel: 86 21 649 50088
Fax: 86 21 649 50077

INDIA

Graco Hong Kong Ltd.
India Liaison Office
Room 432, Augusta Point
Regus Business Centre 53
Golf Course Road
Gurgaon, Haryana
India 122001
Tel: 91 124 435 4208
Fax: 91 124 435 4001

JAPAN

Graco K.K.
1-27-12 Hayabuchi
Tsuzuki-ku
Yokohama City, Japan 2240025
Tel: 81 45 593 7300
Fax: 81 45 593 7301

KOREA

Graco Korea Inc.
Shinhan Bank Building
4th Floor #1599
Gwangyang-Dong, Dongan-Ku,
Anyang-si, Korea 431-060
Tel: 82 31 476 9400
Fax: 82 31 476 9801

All written and visual data contained in this document are based on the latest product information available at the time of publication. Graco reserves the right to make changes at any time without notice.

Graco is certified ISO 9001.



Europe
+32 89 770 700
FAX +32 89 770 777
WWW.GRACO.COM

©2013 Graco BVBA 340899ENEU Rev. C 12/13 Printed in Europe.
All other brand names or marks are used for identification purposes and are trademarks of their respective owners.