

## Parts & Accessories



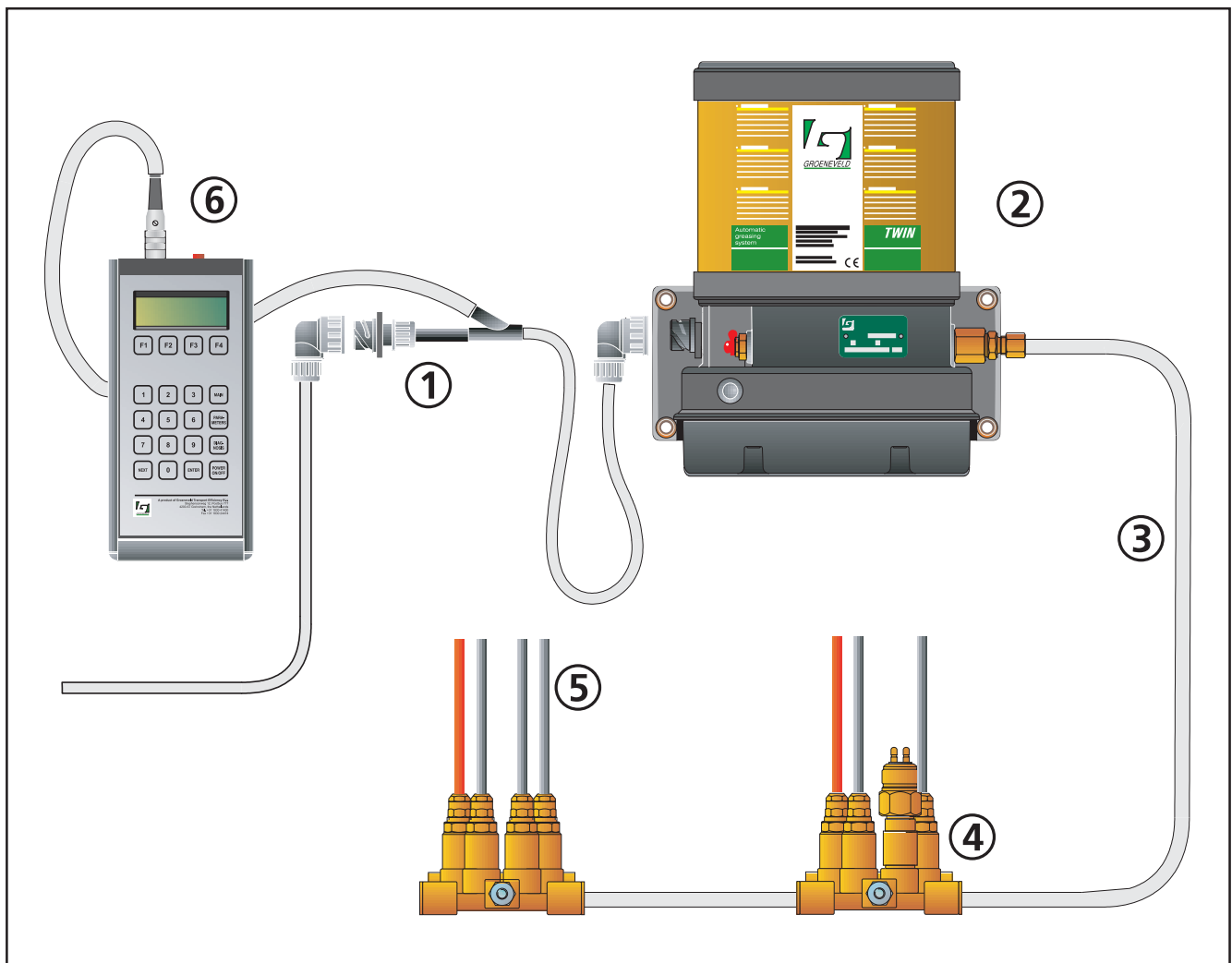
## **TWIN & TriPlus** **Automatic Greasing Systems**

EP1701

your efficiency is our challenge

# TABLE OF CONTENTS

Introduction	5
1 Control elements and connecting material	7
2 Grease pumps and brackets	9
3 Main line	13
4 Metering units	37
5 Secondary tubes	43
6 Various materials and parts	59
7 TriPlus parts overview	71



## INTRODUCTION

This book gives an overview of the frequently used parts of the Automatic *TWIN* & *TriPlus* Greasing Systems of Groeneveld.

The chapters 1 until 5 contain each a part of the complete Greasing System. The parts represented in these chapters are shown in a clear way, representing clearly their functionality. In chapter 6 several parts are listed such as clamping materials and GreenLube-EP-2 grease. Chapter 7 gives an overview of the *TriPlus* Greasing Systems.

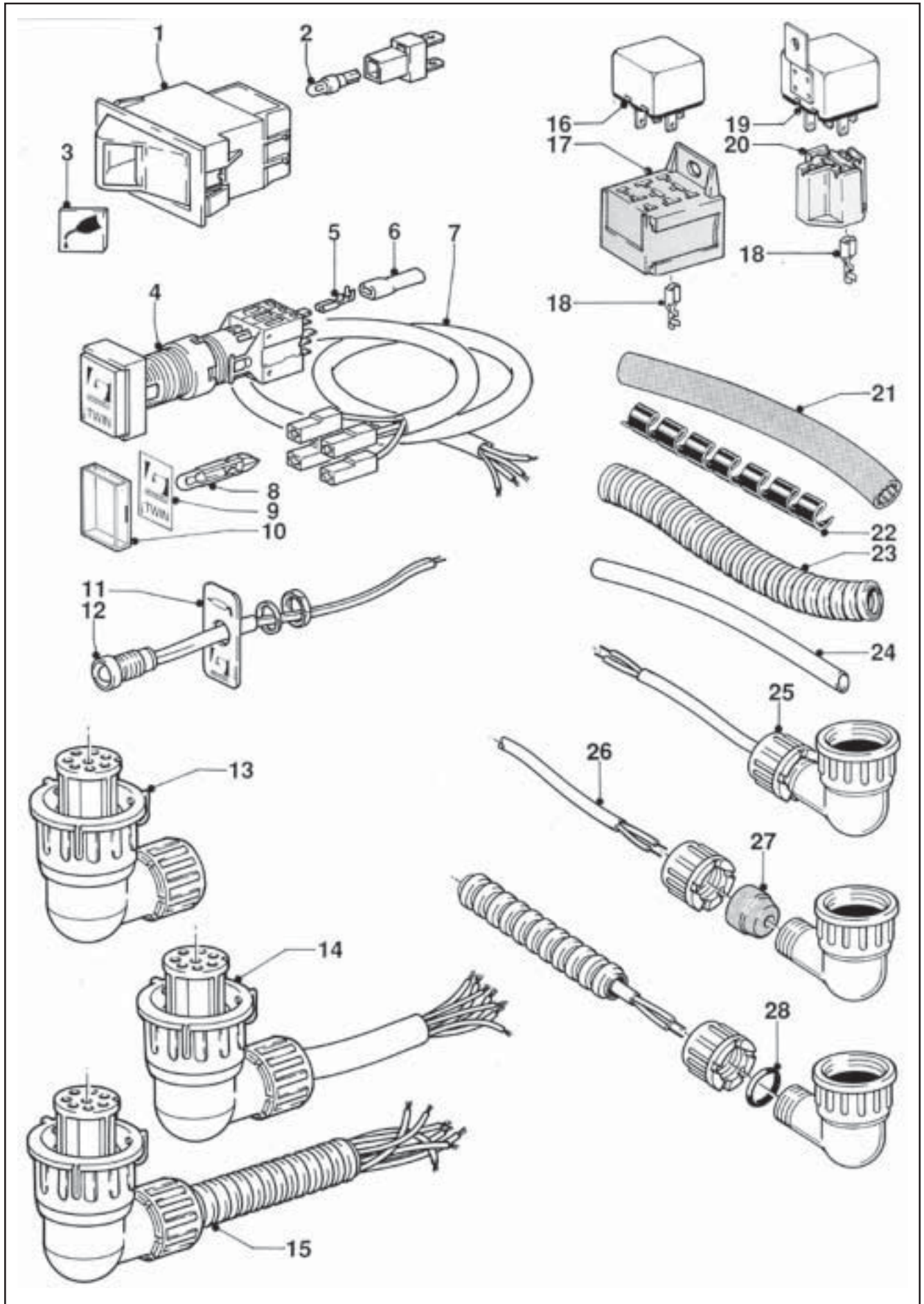
### Material indication

BR	Brass (Messing)
PA	Polyamide (synthetic)
ST-YG	Steel, yellow passivated
ST-G	Steel, galvanised
SST	Stainless steel

### How to order?

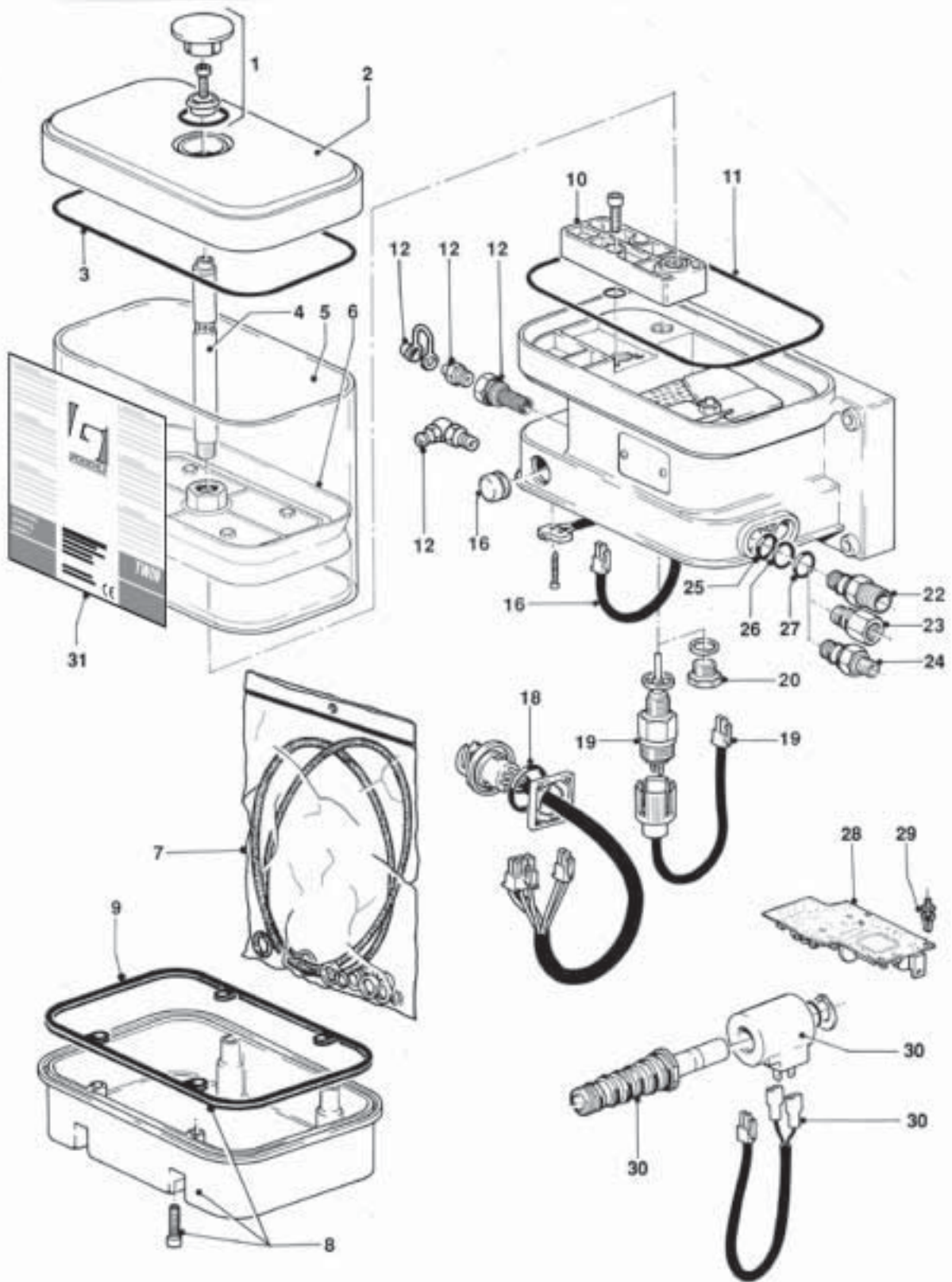
Mention by each order:

- Article number
- Required quantity
- Length (by tubes)



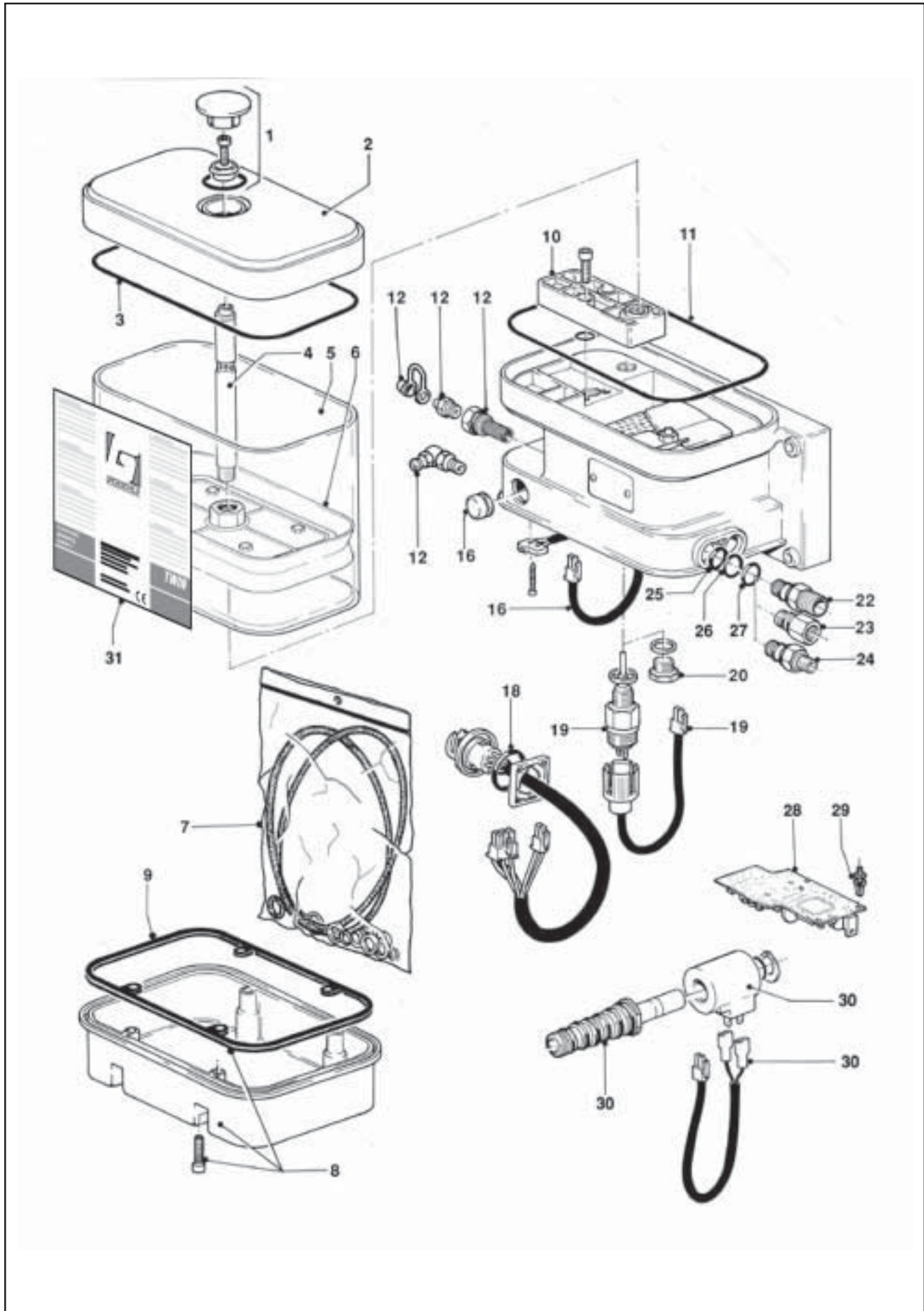
# 1 - CONTROL ELEMENTS AND CONNECTING MATERIAL

Lamp alarm water-tight 56122 + 56222		
<i>pos.</i>	<i>art.nr.</i>	<i>description</i>
1	128.17	Mode-selection pushbutton / Lamp
	169.22	Mode-selection pushbutton / Lamp
2	123.22	Control lamp 24V
	133.22	Control lamp 12V
3	164.22	Lamp lens, yellow ('alarm')
4	132.33	Mode-selection pushbutton / Lamp
	713.22	Mode-selection pushbutton / Lamp
	F171540	Lamp ip67
5	005.17	Receptacles 1,5mm <sup>2</sup> (2,8)
6	006.17	Insulation shell for 00517
7	150.33	Wiring harness for 13233 / 97201
	972.01	Wiring harness for 12817
8	206.33	Lamp pushbutton 24/28V
	249.33	Lamp pushbutton 12V
9	869.01	Display panel Twin for 13233
10	868.01	Yellow lens for 13233
11	976.01	Display panel Twin for LED
12	240.09	LED yellow
13	736.01	Twin conn. set 8p. (ADR)
14	822.01	Pump wiring harness 7 core/15m.
	823.01	Pump wiring harness 7 core/7m.
	898.01	Pump wiring harness 7 core/3m.
15	952.01	Pump wiring harness 9m./ADR/Truck
	002.17	Wiring harness 7m./VLG for 70001
16	700.09	Relay 24V, 5-poles without blade
17	707.09	Plug socket 5-p. relay (+blade)
18	678.06	Receptacles 1,5 mm <sup>2</sup>
19	356.06	Relay 24V, 5-poles with blade
	708.09	Relay 12V, 5-poles with blade
20	683.06	Plug socket 5-p. relay (-blade)
21	018.08	Heat shrink tubing l=15cm
22	019.08	Spi-wrap 5 mm
	020.08	Spi-wrap 8 mm
23	140.08	Flex. synthetic hose
24	234.22	Protection hose Ø 6 mm ID
25	048.12	Pressure switch wiring harness 8m.
	049.12	Pressure switch wiring harness 15m.
	224.01	Wiring harness,Con.24mm 2-core 6m
	821.01	Wiring harness,Con.24mm 2-core
26	578.06	Electric cable 1.5 mm <sup>2</sup> GL+BR
27	190.08	Connectorset 2-core
28	191.08	Connectorset 2-core VLG



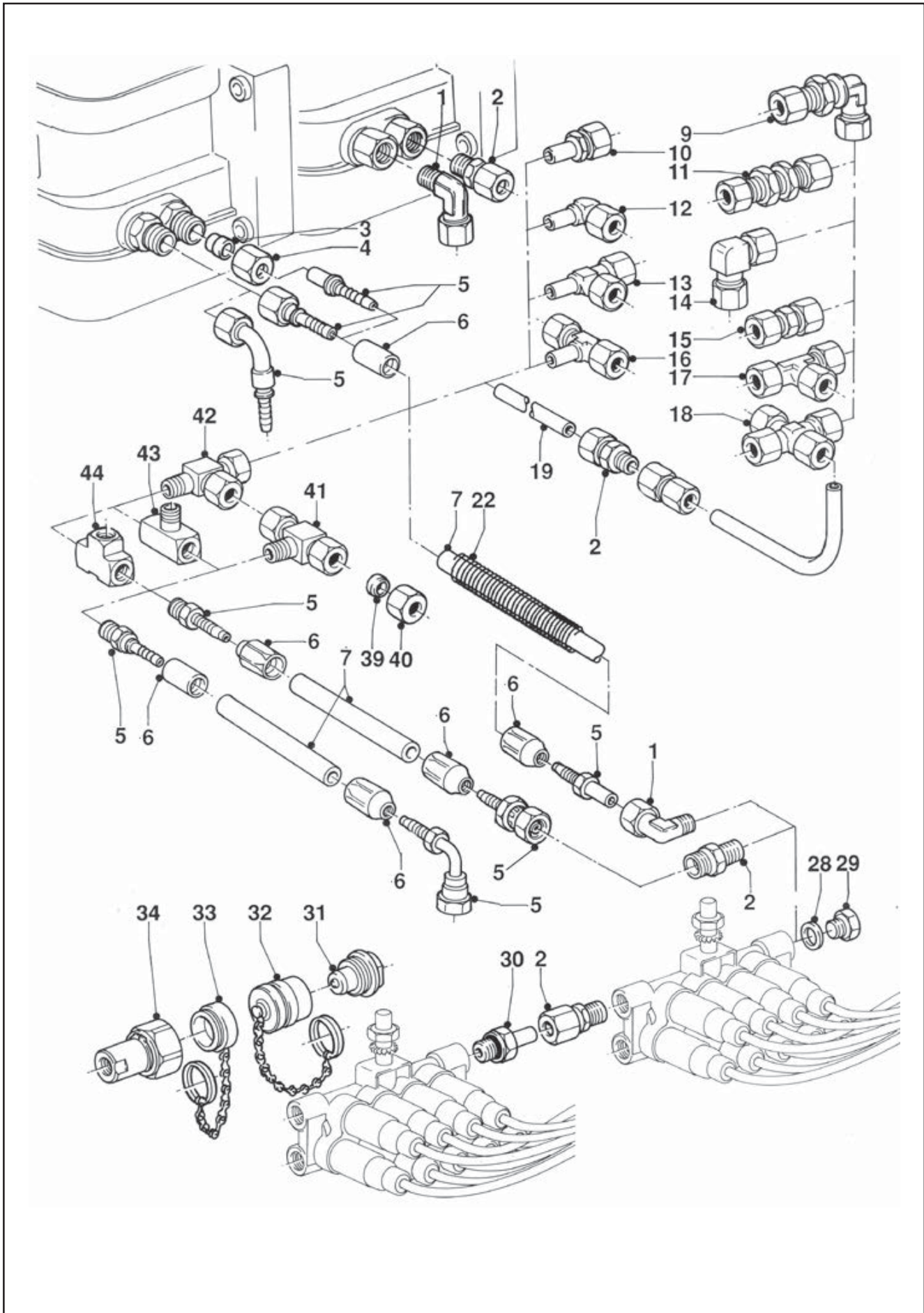
## 2 - TWIN GREASE PUMPS AND BRACKETS

<b>TWIN Grease pump</b>							
property		article number					
	<i>incl. grease</i>	<b>F112589</b>	<b>F112126</b>	<b>F112484</b>	<b>F112942</b>	<b>F111842</b>	<b>F111956</b>
	<i>excl. grease</i>	636.01	637.01	638.01	700.01*	834.01	835.01
Delivery	cc/min.	12	12	12	12	12	12
Max. grease pressure	bar	250	250	175	250	250	250
Contents reservoir	litres	4	4	2	3	3	3
Supply voltage	V dc	12	24	24	24	24	12
Current draw	A	10	5	5	5	5	10
Follower piston		yes	yes	yes	yes	yes	yes
Minimum level switch		yes	yes	yes	yes	yes	yes
Connector type		bayonet	bayonet	bayonet	bayonet	bayonet	bayonet
Mass	kg	6,4	6,4	6,2	6,2	6,2	6,2
Operating temperature	°C	-20/+80	-20/+80	-20/+80	-20/+80	-20/+80	-20/+80
Thread-adapter		M16x1,5	M16x1,5	1/4" inw.	M16x1,5	M16x1,5	M16x1,5
*) For external control (without control unit)							
pos.	art.nr.	description					
1	597.01	Fixing set, reservoircap					
2	887.01	Reservoircap with O-ring					
3	306.01	Reservoir O-ring					
4	013.17	Follower piston guide (4 l-reservoir)					
	888.01	Follower piston guide (3 l-reservoir)					
	889.01	Follower piston guide (2 l-reservoir)					
5	011.17	Reservoir set 4 l					
	891.01	Reservoir set 2 l					
	892.01	Reservoir set 3 l					
6	012.17	Follower piston 4 l					
	890.01	Follower piston 2-3 l					
7	884.01	Gasket and O-ring set					
8	877.01	Bottom cap (complete)					
9	084.17	Gasket					
10	894.01	Bridge piece follower piston guide (2-3 l reservoir)					
	173.16	Bridge piece follower piston guide (4 l reservoir)					
11	893.01	Reservoir O-ring (bottom)					
12	F170206	Filling set + quick-disconnect coupling					
	F170207	Filling set + grease nipple					
16	F170210	Test button					
18	007.17	Internal wiring harness with a connector for the pump 700.01					
	875.01	Internal wiring harness with a connector					
19	F170211	Minimum level switch					
20	599.01	Plug with O-ring M16x1,5					
22	967.01	Thread-adapter set M14x1,5 - M16x1,5 ferrule connector (incl. O-ring)					
23	789.01	Thread-adapter set M14x1,5-1/4" - inside (incl. O-ring)					
24	824.01	Thread-adapter set M14x1,5-1/4" - outside (incl. O-ring)					



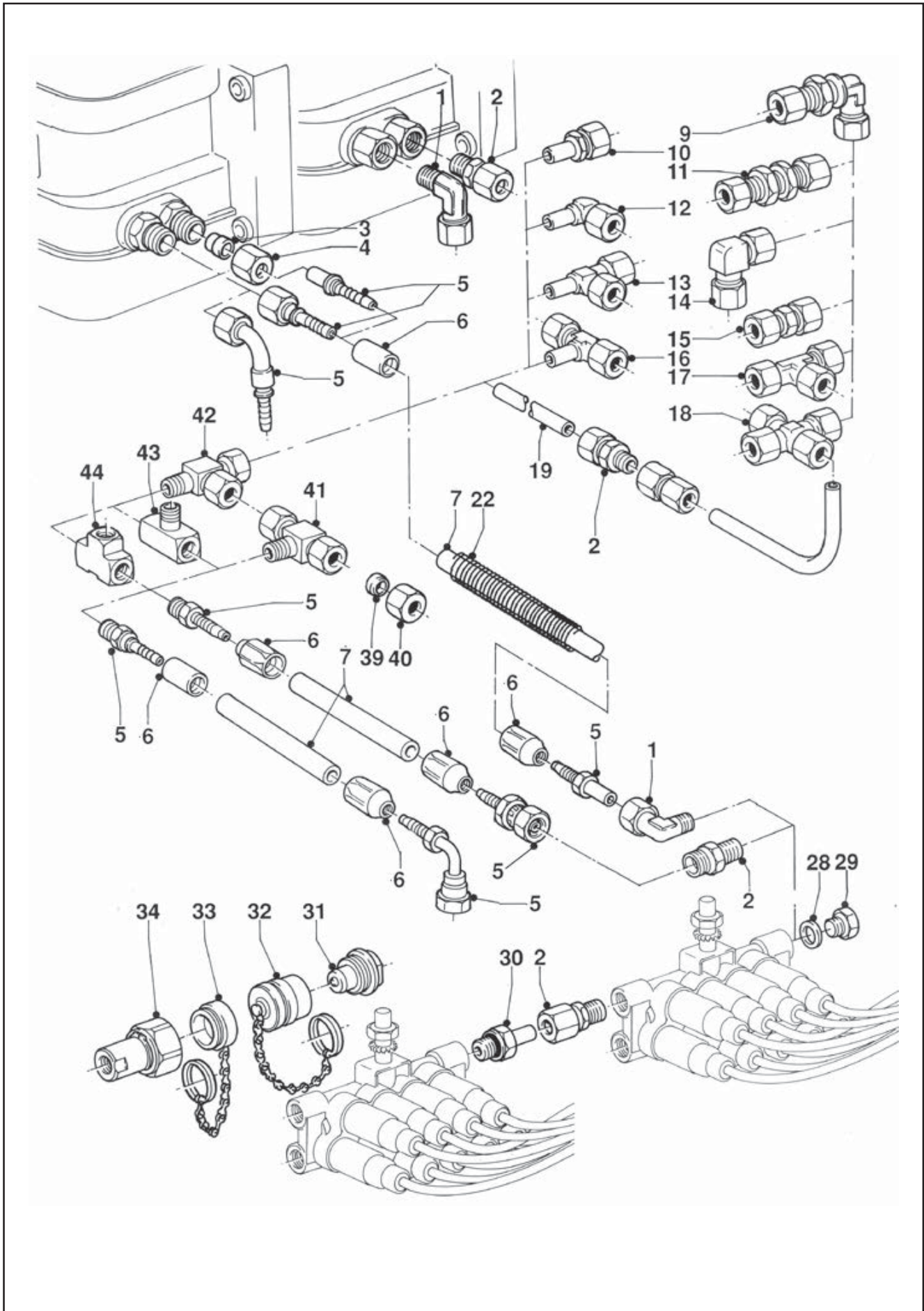


<b>TWIN Grease pump (continuation)</b>		
<i>pos.</i>	<i>art.nr.</i>	<i>description</i>
25	792.01	O-ring
26	086.17	O-ring
27	791.01	O-ring
28	900.17	Control unit 24V
	987.01	Control unit 12V
29	883.01	Lock-pins
30	F170208	Valve 24VDC
	F170209	Valve 12VDC
	F170212	Valve 12VDC (from serialnr. 015963)
	F170213	Valve 24VDC (from serialnr. 015963)
31	004.17	Twin reservoirsticker 2-4L
	831.01	Twin reservoirsticker 3L

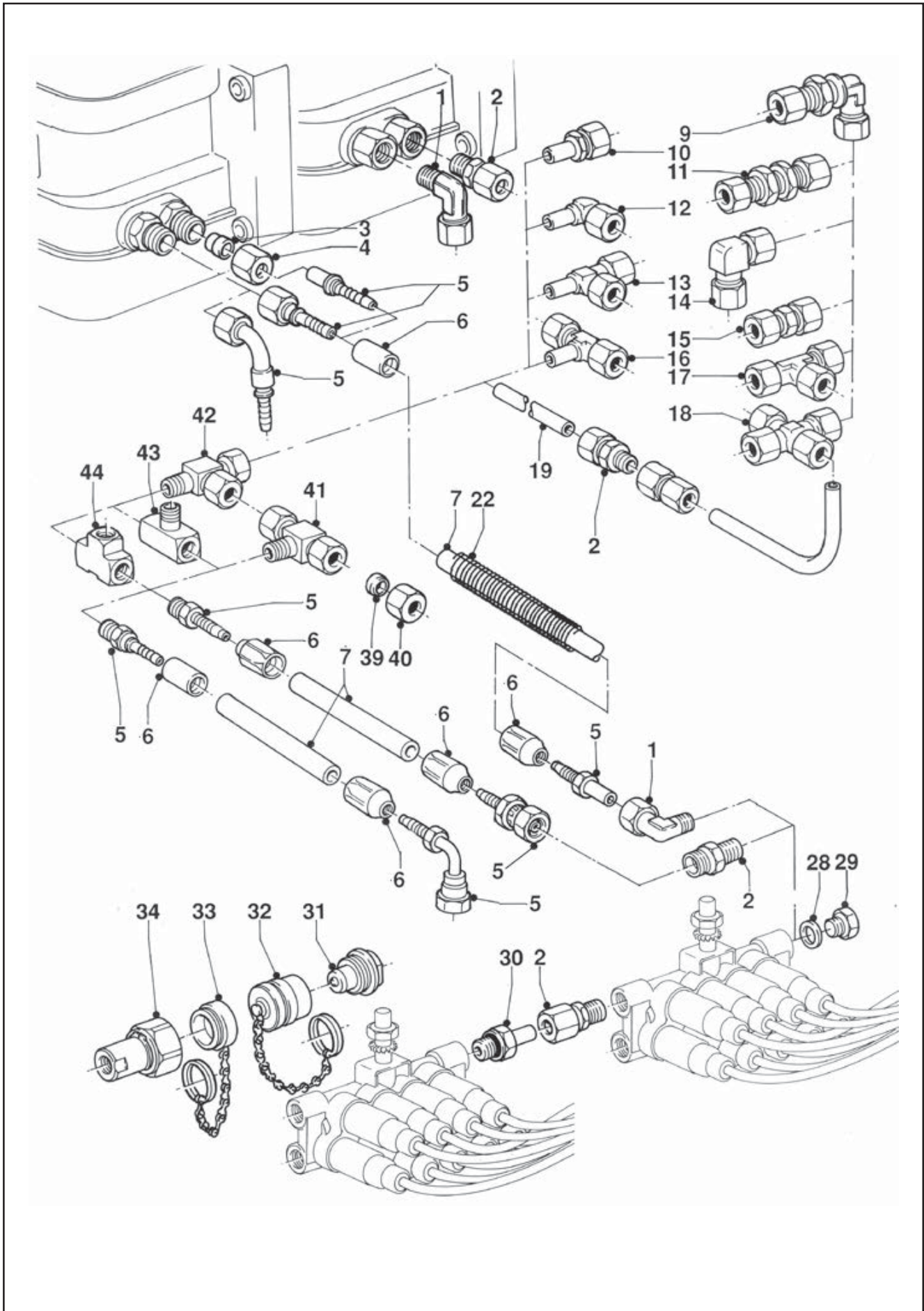


### 3 - MAIN LINE

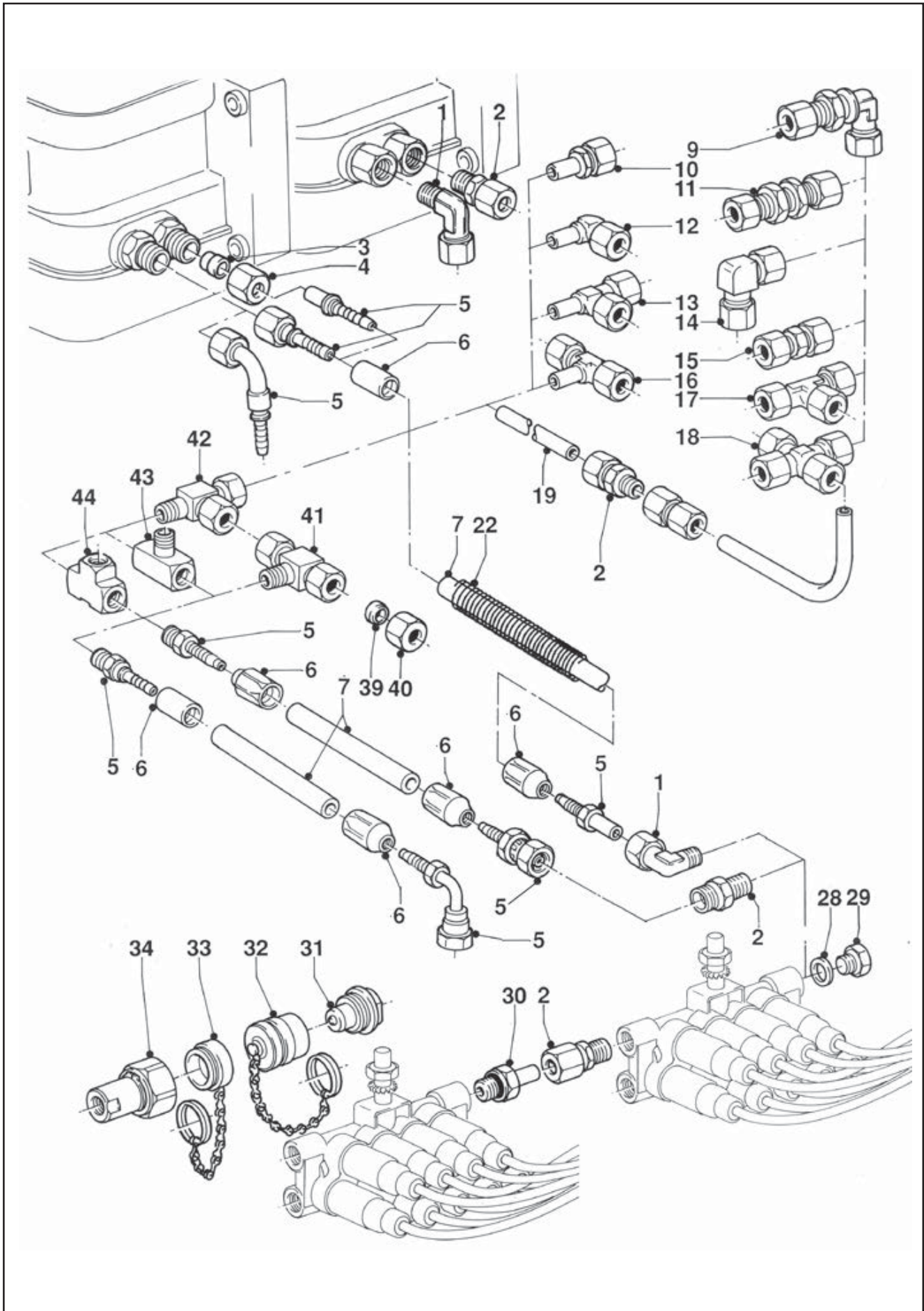
<b>Male stud elbow with ferrule</b>			
<i>pos.</i>	<i>art.nr.</i>	<i>description</i>	<i>material</i>
1	56402	Male stud elbow $\varnothing$ 8-1/4 NPT	SST
	F170873	Male stud elbow $\varnothing$ 8-1/4 NPT body	SST
	45602	Male stud elbow $\varnothing$ 8-1/4 NPT	ST-YG
	72222	Male stud elbow $\varnothing$ 8-1/4 NPT body	ST-YG
	47102	Male stud elbow $\varnothing$ 8-3/8 NPT	ST-YG
	14422	Male stud elbow $\varnothing$ 8-M14x1,5	ST-YG
	47402	Male stud elbow $\varnothing$ 10-1/4 NPT	ST-YG
	72322	Male stud elbow $\varnothing$ 10-1/4 NPT body	ST-YG
	42801	Male stud elbow $\varnothing$ 10-1/4 NPT body	ST-YG
	47502	Male stud elbow $\varnothing$ 10-3/8 NPT	ST-YG
	14222	Male stud elbow $\varnothing$ 10-M1/4x1,5	ST-YG
	17501	Male stud elbow $\varnothing$ 10-R1/4	BR
	58202	Male stud elbow $\varnothing$ 10-R1/4	SST
	60102	Male stud elbow $\varnothing$ 12-R1/4	SST
	49302	Male stud elbow $\varnothing$ 12-R1/4	ST-YG
	24708	Male stud elbow $\varnothing$ 15-1/2	ST-YG
	60122	Male stud elbow $\varnothing$ 15-3/8	ST-YG
	43801	Male stud elbow $\varnothing$ 5/16-G1/4	BR
	11301	Male stud elbow $\varnothing$ 5/16-R1/8	BR



<b>Male stud coupling with ferrule</b>			
<i>pos.</i>	<i>art.nr.</i>	<i>description</i>	<i>material</i>
2	72022	Male stud coupling ø 8-1/4 NPT body	ST-YG
	45502	Male stud coupling ø 8-1/4 NPT	ST-YG
	F170899	Male stud coupling ø 8-1/4 body	SST
	22822	Male stud coupling ø 8-1/8 NPT	SST
	50922	Male stud coupling ø 8-1/8 NPT	ST-YG
	56302	Male stud coupling ø 8-G1/4	SST
	22901	Male stud coupling ø 8-G1/8 (cal)	BR
	57302	Male stud coupling ø 8-G1/8	SST
	47002	Male stud coupling ø 8-G3/8	ST-YG
	09708	Male stud coupling ø 8-M12x1,5	ST-YG
	14322	Male stud coupling ø 8-M14x1,5	ST-YG
	43101	Male stud coupling ø 8-M16x1,5	ST-YG
	17401	Male stud coupling ø 10-1/4	BR
	72122	Male stud coupling ø 10-1/4 NPT body	ST-YG
	47202	Male stud coupling ø 10-1/4 NPT	ST-YG
	22422	Male stud coupling ø 10-3/8 NPT	SST
	44422	Male stud coupling ø 10-M12x1,5	ST-YG
	12722	Male stud coupling ø 10-M14x1,5	ST-YG
	43201	Male stud coupling ø 10-M16x1,5	ST-YG
	58002	Male stud coupling ø 10-R1/4	SST
	47302	Male stud coupling ø 10-R3/8	ST-YG
	F170785	Male stud coupling ø 12-1/4 body	ST-YG
	60002	Male stud coupling ø 12-G1/4	SST
	49202	Male stud coupling ø 12-G1/4	ST-YG
	50002	Male stud coupling ø 12-R3/8	ST-YG
	36502	Male stud coupling ø 15-1/2D	ST-YG
	24608	Male stud coupling ø 15-G1/2	ST-YG
	55022	Male stud coupling ø 15-M16x1,5	ST-YG
	22709	Male stud coupling ø 15-M22	ST-YG
	24008	Male stud coupling ø 15-M22x1,5	ST-YG
	80222	Male stud coupling ø 22mm-1/2 "	SST
	80122	Male stud coupling ø 22mm-1/2 "	ST-YG
	11201	Male stud coupling ø 5/16 "-1/4	BR
	43901	Male stud coupling ø 5/16 "-1/4	BR
	11401	Male stud coupling ø 5/16 "-1/8	BR

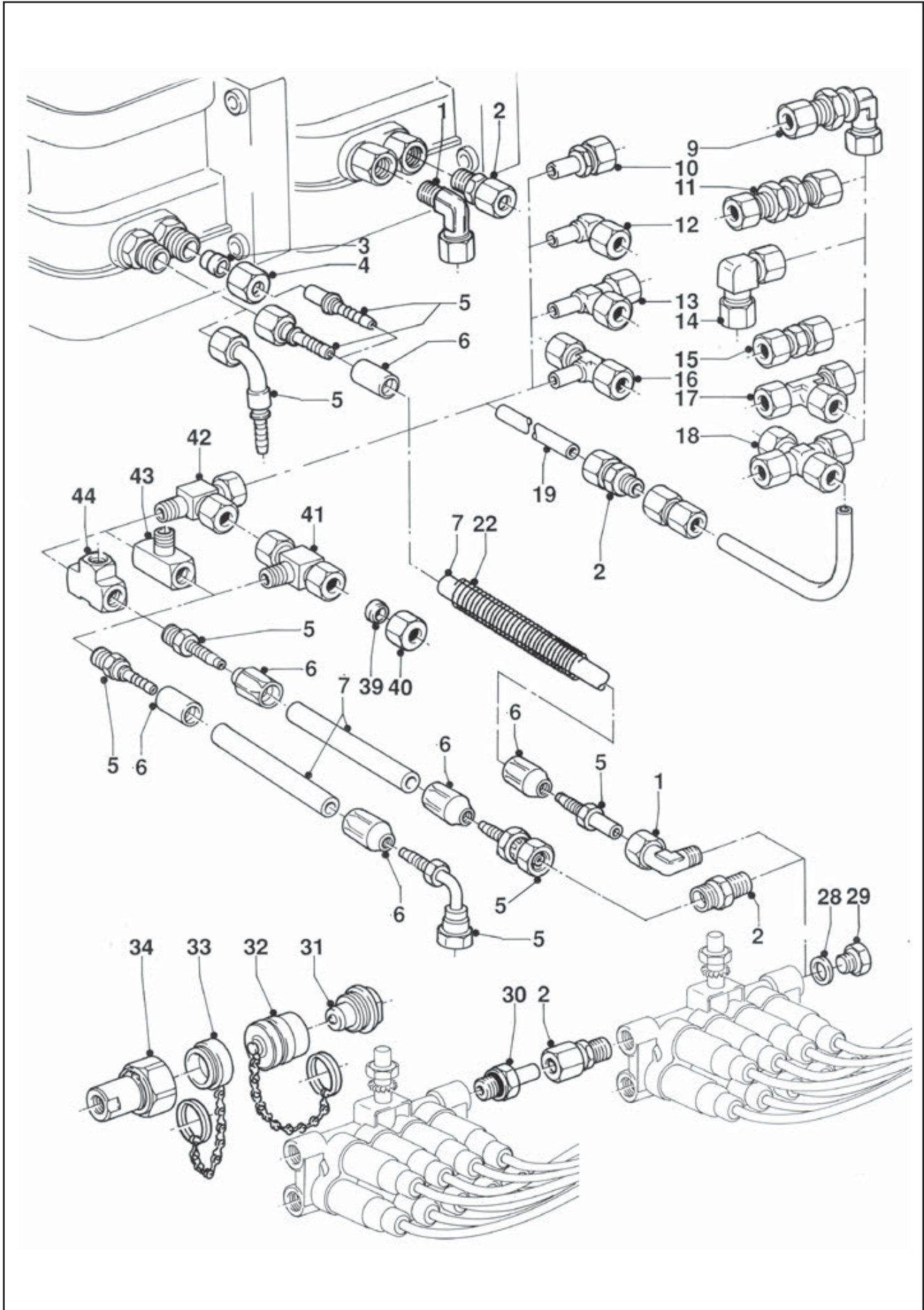


<b>Compression ferrule</b>					
<i>pos.</i>	<i>art.nr.</i>	<i>description</i>			<i>material</i>
3/39	46502	Compression ferrule ø 8			BR
	57702	Compression ferrule ø 8			SST
	46902	Compression ferrule ø 8			ST-YG
	36401	Compression ferrule ø 10			BR
	17901	Compression ferrule ø 10 2-sides			BR
	59702	Compression ferrule ø 10			SST
	48902	Compression ferrule ø 10			ST-YG
	61402	Compression ferrule ø 12			SST
	50602	Compression ferrule ø 12			ST-YG
	24508	Compression ferrule ø 15			BR
	59902	Compression ferrule ø 15			SST
	31408	Compression ferrule ø 15			ST-YG
	31908	Compression ferrule ø 18			BR
	26322	Compression ferrule ø 22			SST
<b>Nut</b>					
<i>pos.</i>	<i>art.nr.</i>	<i>size A</i>	<i>size B</i>	<i>size C</i>	<i>material</i>
4/40	46802	8	M14x1,5		ST-YG
	57602	8	M14x1,5		SST
	18001	10	M16x1,5		BR
	48802	10	M16x1,5		ST-YG
	59602	10	M16x1,5		SST
	50502	12	M18x1,5		ST-YG
	24408	15	M22x1,5		ST-YG
	33308	18	M26x1,5		ST-YG
	16101	5/16"	M12x1		BR
<b>High pressure hose 4mm I.D./9mm O.D.</b>					
<i>pos.</i>	<i>art.nr.</i>	<i>description</i>			<i>material</i>
5	11816	Elbow stand pipe 6mm (crimp)			ST-YG
	11716	Straight stand pipe 6mm (crimp) 4mm			ST-YG
	09516	Elbow stand pipe + socket, screw coupling 6mm			ST-YG
	06416	Straight stand pipe + socket, screw coupling 1/8"			ST-YG
	06316	Straigh stand pipe + socket, screw coupling 8mm			ST-YG
	06216	Straigh stand pipe + socket, screw coupling 5mm			ST-YG
	05816	Straigh stand pipe, screw coupling 4mm			ST-YG
6	11916	Crimp socket for 05716			ST-YG
7	05716	H.P.H. 4mm I.D./9mm O.D.			

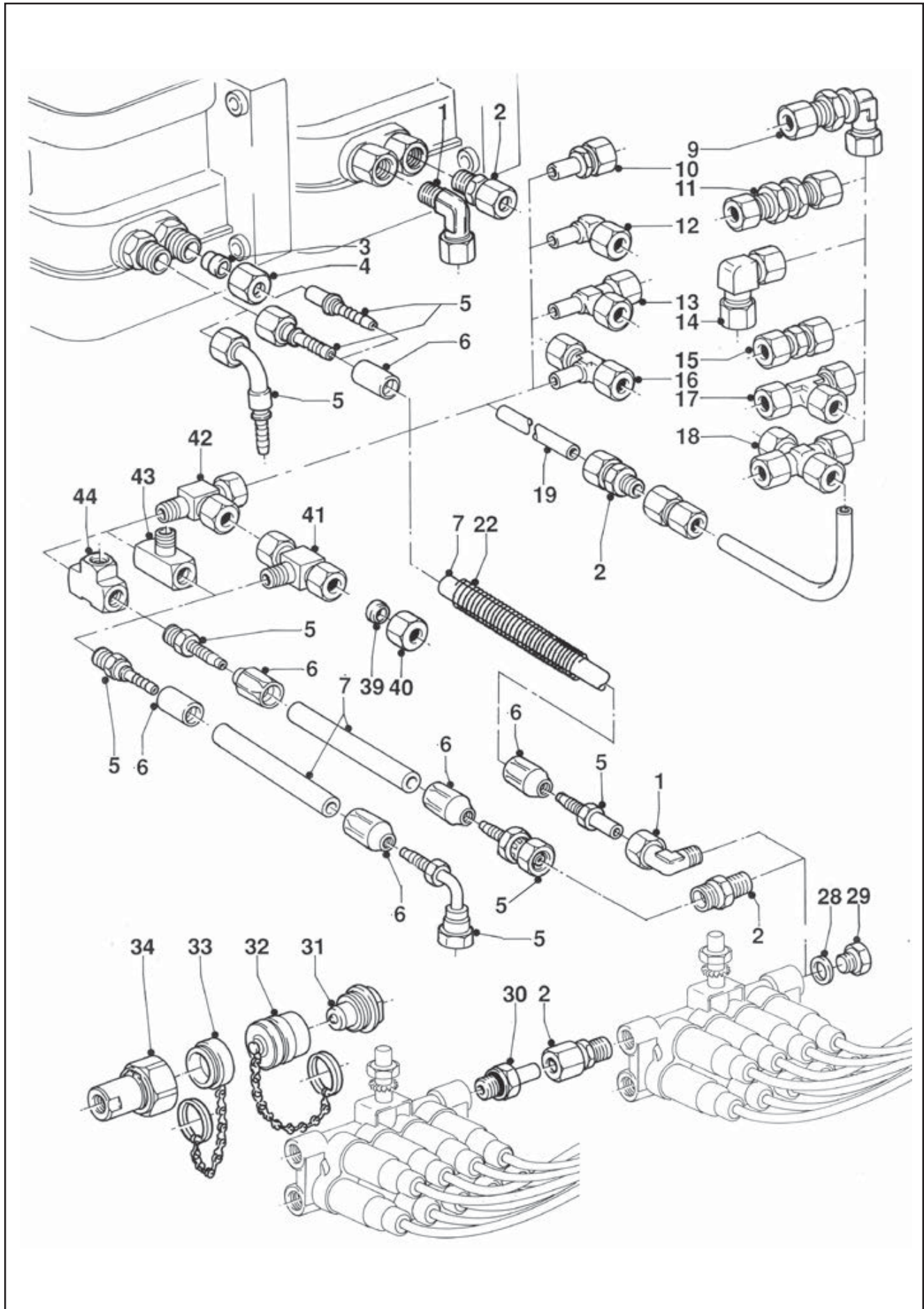




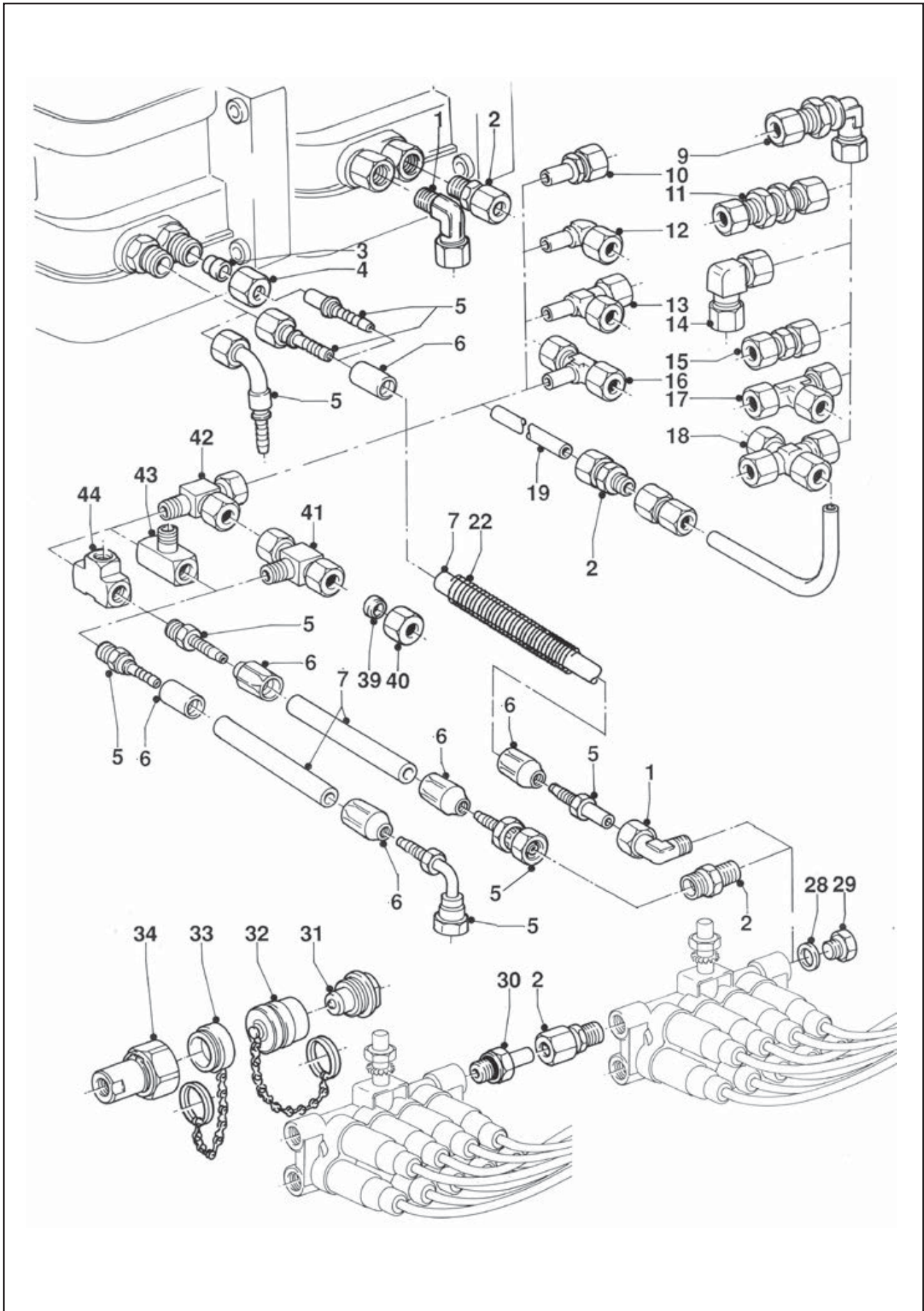
<b>High pressure hose 1/4" (crimp) with accessories</b>			
<i>pos.</i>	<i>art.nr.</i>	<i>description</i>	<i>material</i>
5	83022	Straight stand pipe ø 6 (crimp) 1/4"	ST-YG
	55002	Straight stand pipe 1/4 NPT (crimp) 1/4"	ST-YG
	11217	Straight stand pipe 1/4 NPT (crimp) 1/4"	SST
	05617	Straight stand pipe 1/8 NPT (crimp) 1/4"	ST-YG
	11117	Straight stand pipe 1/8 NPT (crimp) 1/4"	SST
	05117	Straight stand pipe ø 5 (crimp) 1/4"	ST-YG
	10617	Straight stand pipe ø 5 (crimp) 1/4"	SST
	05217	Straight stand pipe ø 6 (crimp) 1/4"	ST-YG
	10717	Straight stand pipe ø 6 (crimp) 1/4"	SST
	55102	Straight stand pipe ø 8 (crimp) 1/4"	ST-YG
	10817	Straight stand pipe ø 8 (crimp) 1/4"	SST
	55202	Straight stand pipe ø 10 (crimp) 1/4"	ST-YG
	10917	Straight stand pipe ø 10 (crimp) 1/4"	SST
	05317	Straight stand pipe ø 12 (crimp) 1/4"	ST-YG
	11017	Straight stand pipe ø 12 (crimp) 1/4"	SST
	73922	Stand pipe + nut (45°) ø 8 (crimp) 1/4"	ST-YG
	F117227	Stand pipe + nut (45°) ø 10 (crimp) 1/4"	ST-YG
	F170871	Elbow stand pipe + nut ø 6 (crimp) 1/4"	SST
	55302	Elbow stand pipe + nut ø 8 (crimp) 1/4"	ST-YG
	55402	Elbow stand pipe + nut ø 10 (crimp) 1/4"	ST-YG
	F170143	Elbow stand pipe + nut ø 10 (crimp) 1/4"	SST
	05417	Straight stand pipe + nut ø 8 (crimp) 1/4"	ST-YG
	F170987	Straight stand pipe + nut ø 8 (crimp) 1/4"	SST
	05517	Straight stand pipe + nut ø 10 (crimp) 1/4"	ST-YG



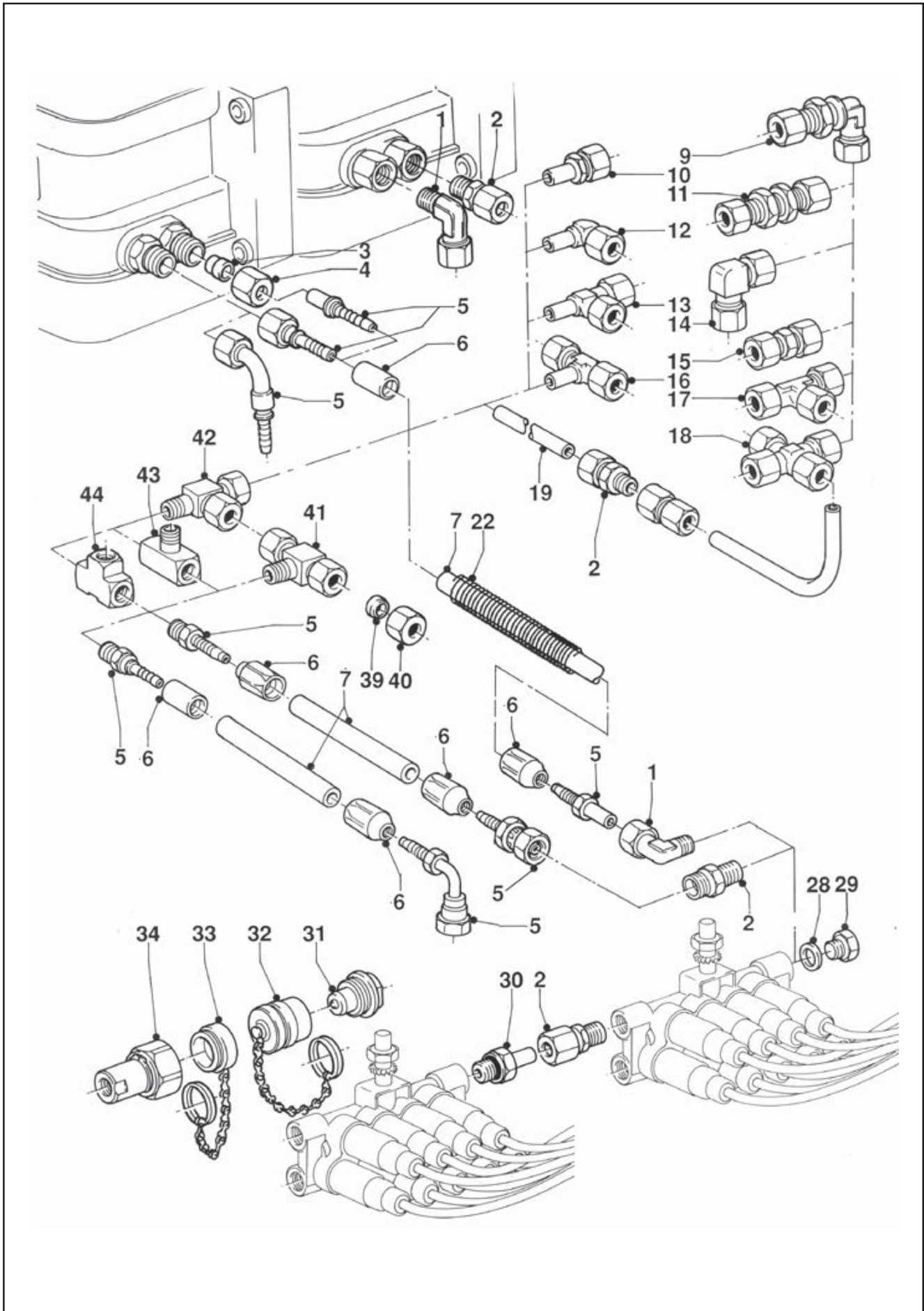
<b>High pressure hose 1/4" (screw coupling) with accessories</b>			
<i>pos.</i>	<i>art.nr.</i>	<i>description</i>	<i>material</i>
5/6	06317	Elbow stand pipe ø 8 (screw coupling + nut) 1/4"	ST-YG
	06517	Elbow stand pipe ø 10 (screw coupling + nut) 1/4"	ST-YG
	06717	Straight stand pipe 1/4 NPT (screw coupling) 1/4"	ST-YG
	11917	Straight stand pipe 1/4 NPT (screw coupling) 1/4"	SST
	06617	Straight stand pipe 1/8 NPT (screw coupling) 1/4"	ST-YG
	11817	Straight stand pipe 1/8 NPT (screw coupling) 1/4"	SST
	05717	Straight stand pipe ø 5 (screw coupling) 1/4"	ST-YG
	11317	Straight stand pipe ø 5 (screw coupling) 1/4"	SST
	05817	Straight stand pipe ø 6 (screw coupling) 1/4"	ST-YG
	11417	Straight stand pipe ø 6 (screw coupling) 1/4"	SST
	05917	Straight stand pipe ø 8 (screw coupling) 1/4"	ST-YG
	11517	Straight stand pipe ø 8 (screw coupling) 1/4"	SST
	06017	Straight stand pipe ø10 (screw coupling) 1/4"	ST-YG
	11617	Straight stand pipe ø 10 (screw coupling) 1/4"	SST
	06117	Straight stand pipe ø 12 (screw coupling) 1/4"	ST-YG
	11717	Straight stand pipe ø 12 (screw coupling) 1/4"	SST
	06217	Straight stand pipe ø 8 (screw coupling + nut) 1/4"	ST-YG
	06417	Straight stand pipe ø 10 (screw coupling + nut) 1/4"	ST-YG
<b>High pressure hose 3/8" with accessories</b>			
<i>pos.</i>	<i>art.nr.</i>	<i>description (screw coupling)</i>	<i>material</i>
5	327.22	Straight stand pipe 1/4 NPT (crimp) 3/8"	ST-YG
	325.22	Straight stand pipe ø 10 (screw coupling) 3/8"	ST-YG
	810.22	Straight stand pipe ø 10 (crimp) 3/8"	SST
	358.02	Straight stand pipe ø 10 (screw coupling) 3/8"	ST-YG
	541.02	Straight stand pipe ø 10 (screw coupling) 3/8"	SST
	326.22	Straight stand pipe ø 12 (crimp) 3/8"	ST-YG
	364.02	Straight stand pipe ø 12 (screw coupling) 3/8"	ST-YG
	542.02	Straight stand pipe ø 12 (screw coupling) 3/8"	SST
	332.22	Straight stand pipe ø 15 (crimp) 3/8"	SST
	648.02	Elbow stand pipe + nut ø 10 (crimp) 3/8"	ST-YG
	809.22	Elbow stand pipe + nut ø 10 (crimp) 3/8"	SST
	F170783	Elbow stand pipe + nut ø 12 (crimp) 3/8"	ST-YG
	F170784	Straight stand pipe + nut ø 10 (crimp) 3/8"	ST-YG
	F170782	Straight stand pipe + nut ø 12 (crimp) 3/8"	ST-YG
6	359.02	Screw socket 3/8"	ST-YG
	544.02	Screw socket 3/8"	SST
	328.22	Crimp socket 3/8"	ST-YG
7	357.02	H.P.H. ø 3/8" ID	



<b>High pressure hose teflon RVS 1/4"</b>			
<i>pos.</i>	<i>art.nr.</i>	<i>description</i>	<i>material</i>
6	807.22	Crimp socket teflon 1/4"	SST
7	806.22	H.P.H. Teflon 1/4" ID/8.7mm OD/250b	Teflon
<b>High pressure hose 3/4" with accessories</b>			
<i>pos.</i>	<i>art.nr.</i>	<i>description</i>	<i>material</i>
5	788.22	Straight stand pipe + nut 22 (crimp) 3/4"	ST-YG
	789.22	Straight stand pipe + nut 22 (crimp) 3/4"	SST
	790.22	Elbow stand pipe + nut 22mm (crimp) 3/4"	ST-YG
	791.22	Elbow stand pipe + nut 22mm (crimp) 3/4"	SST
6	792.22	Crimp socket 3/4"	ST-YG
	793.22	Crimp socket 3/4"	SST
7	787.22	H.P.H. 3/4"	
<b>High pressure hose 1/2" with accessories</b>			
<i>pos.</i>	<i>art.nr.</i>	<i>description</i>	<i>material</i>
5	149.12	Straight stand pipe 12mm (crimp) 1/2"	ST-YG
	150.12	Straight stand pipe 15mm (crimp) 1/2"	ST-YG
	794.22	Elbow stand pipe + nut 15mm (crimp) 1/2"	ST-YG
	795.22	Straight stand pipe + nut 15mm (crimp) 1/2"	ST-YG
6	151.12	Crimp socket for H.P.H. 14812 1/2"	ST-YG
7	148.12	H.P.H. 1/2" ID/22, 1mm OD/275 bar	

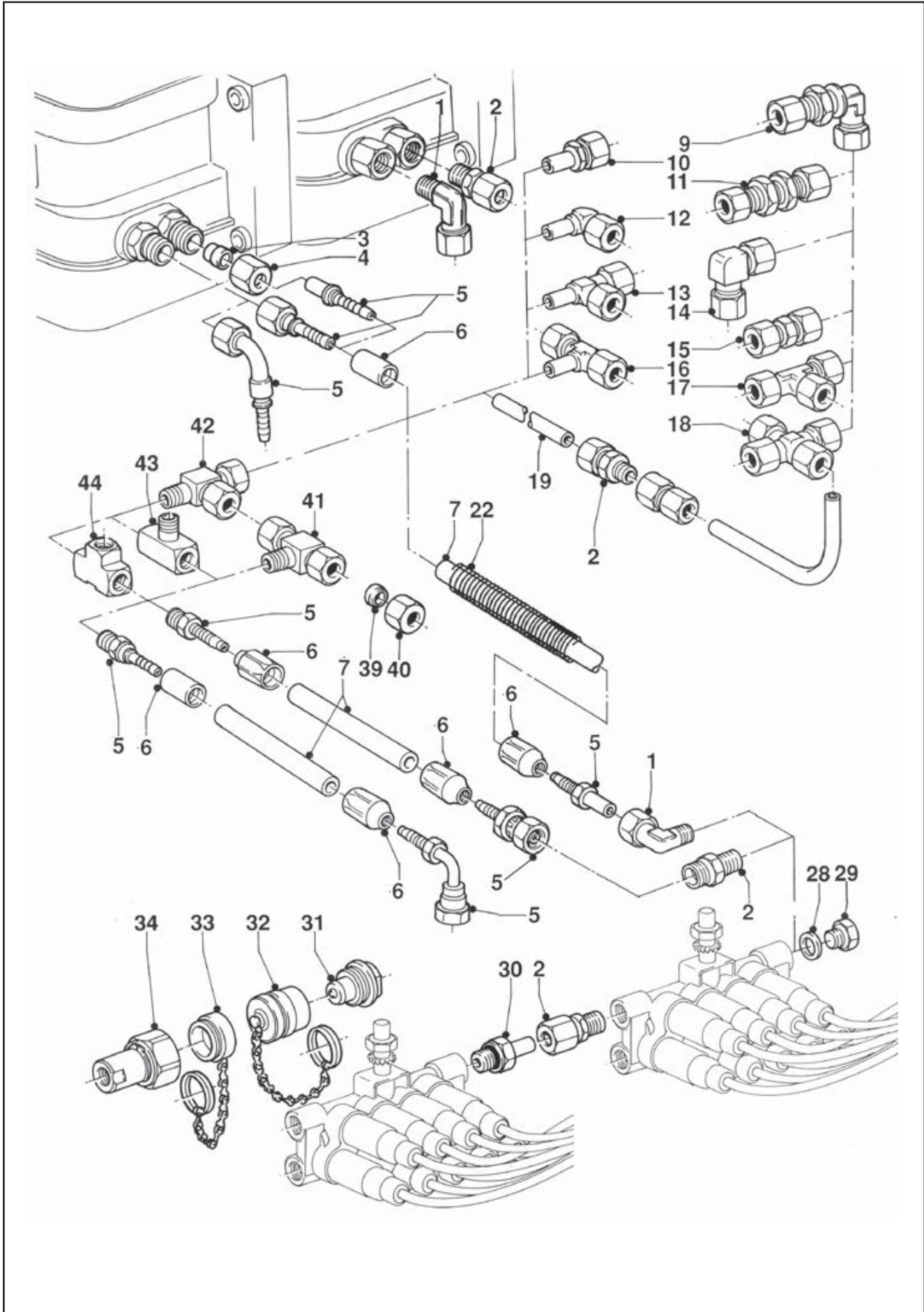


<b>Panel mount elbow union (ferrule)</b>			
<i>pos.</i>	<i>art.nr.</i>	<i>description</i>	<i>material</i>
9	240.12	Panel mount elbow union ø 6	SST
	223.01	Panel mount elbow union ø 6	ST-YG
	461.02	Panel mount elbow union ø 8	ST-YG
	480.02	Panel mount elbow union ø 10	ST-YG
	588.02	Panel mount elbow union ø 10	SST
	311.22	Panel mount elbow union ø 15	SST
<b>Reducing adaptor straight (ferrule)</b>			
<i>pos.</i>	<i>art.nr.</i>	<i>description</i>	<i>material</i>
10	128.16	Reducing adaptor ø 8 - ø 6 pre-assembled	ST-YG
	629.22	Reducing adaptor ø 10 - ø 1/4	SST
	616.02	Reducing adaptor ø 10 - ø 15	SST
	127.16	Reducing adaptor ø 10 - ø 6 pre-assembled	ST-YG
	466.22	Reducing adaptor ø 10 - ø 8	SST
	482.02	Reducing adaptor ø 10 - ø 8	ST-YG
	612.02	Reducing adaptor ø 12 - ø 10	SST
	504.02	Reducing adaptor ø 12 - ø 10	ST-YG
	125.16	Reducing adaptor ø 12 - ø 6 pre-assembled	ST-YG
	880.02	Reducing adaptor ø 12 - ø 8	ST-YG
	211.09	Reducing adaptor ø 15 - ø 10	ST-YG
	313.22	Reducing adaptor ø 15 - ø 12	SST
	212.09	Reducing adaptor ø 15 - ø 12	ST-YG
	662.02	Reducing adaptor ø 15 - ø 22	ST-YG
	210.09	Reducing adaptor ø 15 - ø 8	ST-YG
	257.02	Reducing adaptor ø 22 - ø 10	ST-YG
	467.02	Reducing adaptor ø 22 - ø 12	ST-YG
	594.02	Reducing adaptor ø 22 - ø 15	SST
	107.22	Reducing adaptor ø 28 - ø 10	SST
	593.02	Reducing adaptor ø 28 - ø 22	SST
<b>Panel mount union (ferrule)</b>			
<i>pos.</i>	<i>art.nr.</i>	<i>description</i>	<i>material</i>
11	532.22	Panel mount union ø 6	BR(L)
	586.22	Panel mount union ø 6	SST
	116.01	Panel mount union ø 8	BR
	570.02	Panel mount union ø 8	SST
	462.02	Panel mount union ø 8	ST-YG
	589.02	Panel mount union ø 10	SST
	481.02	Panel mount union ø 10	ST-YG
	607.02	Panel mount union ø 12	SST
	499.02	Panel mount union ø 12	ST-YG
	310.22	Panel mount union ø 15	SST
	253.08	Panel mount union ø 15	ST-YG
	287.02	Panel mount union ø 22	ST-YG

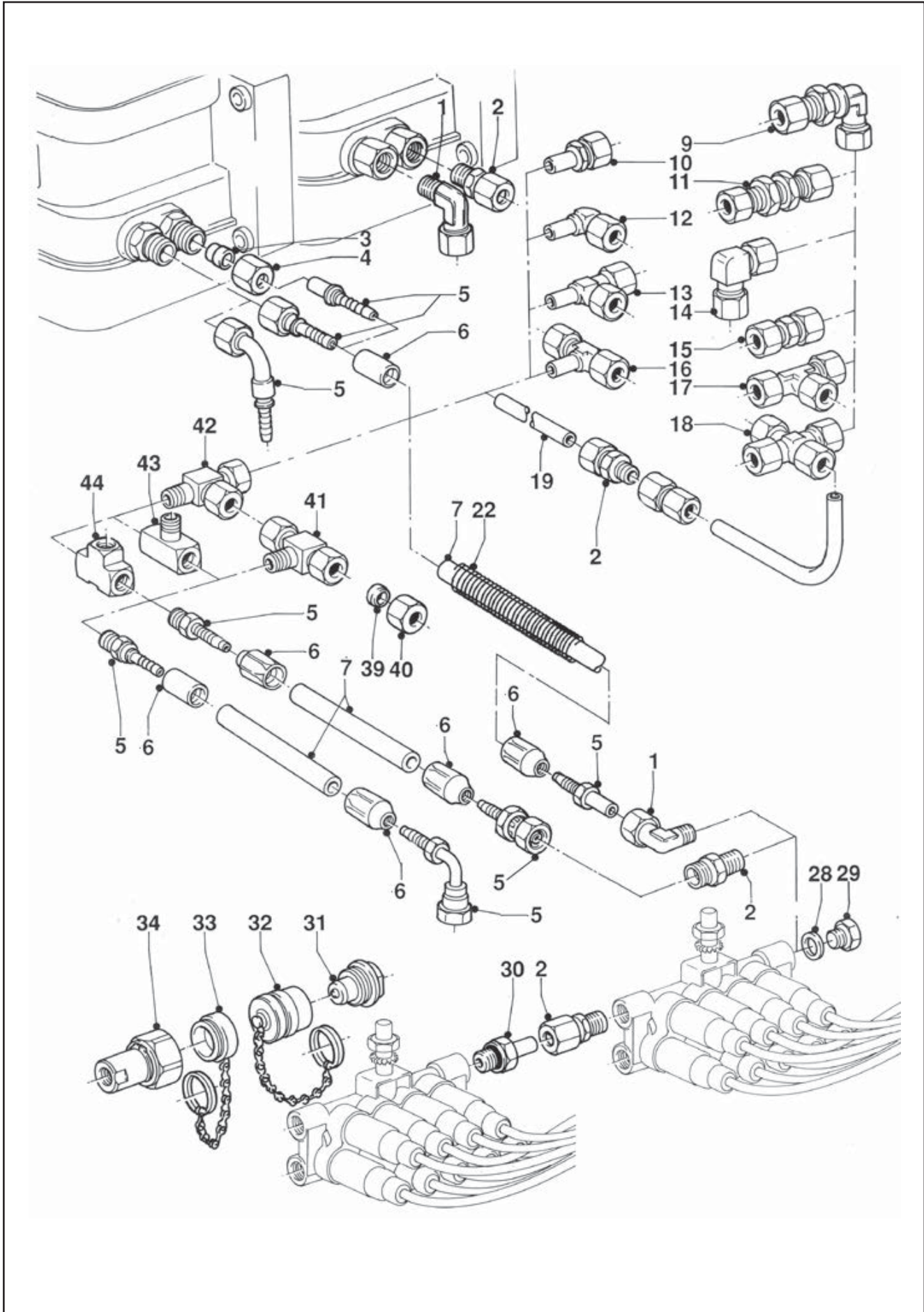




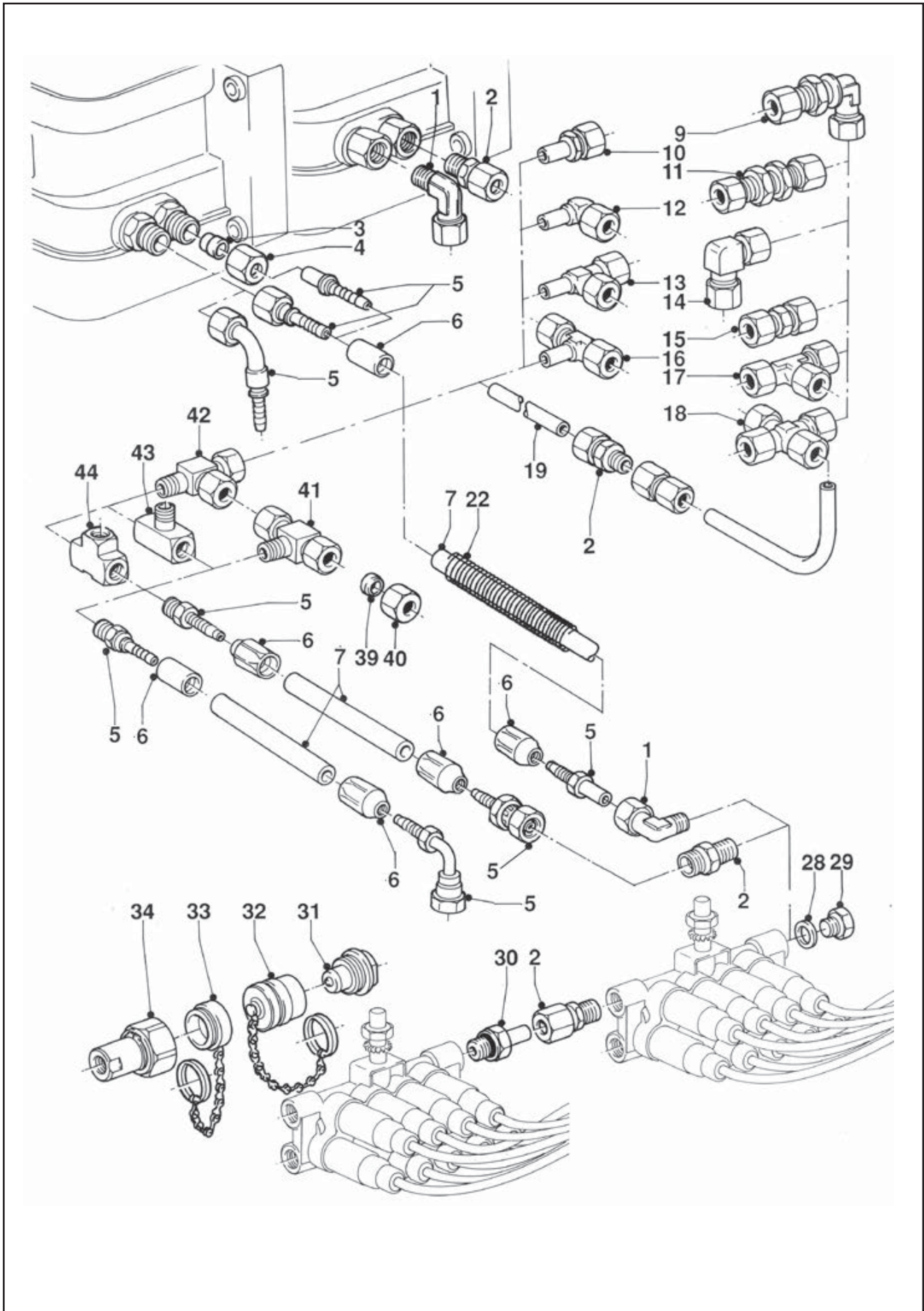
<b>Elbow swivel coupling (ferrule)</b>			
<i>pos.</i>	<i>art.nr.</i>	<i>description</i>	<i>material</i>
12	094.16	Elbow swivel coupling ø 6	ST-YG
	470.22	Elbow swivel coupling ø 8	SST
	807.01	Elbow swivel coupling ø 8	ST-YG
	471.22	Elbow swivel coupling ø 10	SST
	808.01	Elbow swivel coupling ø 10	ST-YG
	093.14	Elbow swivel coupling ø 10-M16	ST-YG
	495.02	Elbow swivel coupling ø 12	ST-YG
	F170786	Elbow swivel coupling ø 12 pre-assembled	ST-YG
	252.08	Elbow swivel coupling ø 15	ST-YG
	315.08	Elbow swivel coupling ø 18	ST-YG
<b>L-swivel coupling (ferrule)</b>			
<i>pos.</i>	<i>art.nr.</i>	<i>description</i>	<i>material</i>
13	117.08	L-swivel coupling ø 10 - ø 10 - ø 8	ST-YG
	115.16	L-swivel coupling ø 6	ST-YG
	740.22	L-swivel coupling ø 8 body	ST-YG
	473.22	L-swivel coupling ø 8	SST
	464.02	L-swivel coupling ø 8	ST-YG
	102.08	L-swivel coupling ø 8 pre-assembled	ST-YG
	591.02	L-swivel coupling ø 10	SST
	483.02	L-swivel coupling ø 10	ST-YG
	484.02	L-swivel coupling ø 12	ST-YG
	113.22	L-swivel coupling ø 15	ST-YG
<b>Equal connecting elbow coupling (ferrule)</b>			
<i>pos.</i>	<i>art.nr.</i>	<i>description</i>	<i>material</i>
14	458.02	Equal connecting elbow coupling ø 8	ST-YG
	566.02	Equal connecting elbow coupling ø 8	SST
	477.02	Equal connecting elbow coupling ø 10	ST-YG
	558.02	Equal connecting elbow coupling ø 10	SST
	920.02	Equal connecting elbow coupling ø 12	ST-YG
	610.02	Equal connecting elbow coupling ø 12	SST
	243.08	Equal connecting elbow coupling ø 15	ST-YG
	664.02	Equal connecting elbow coupling ø 22	ST-YG



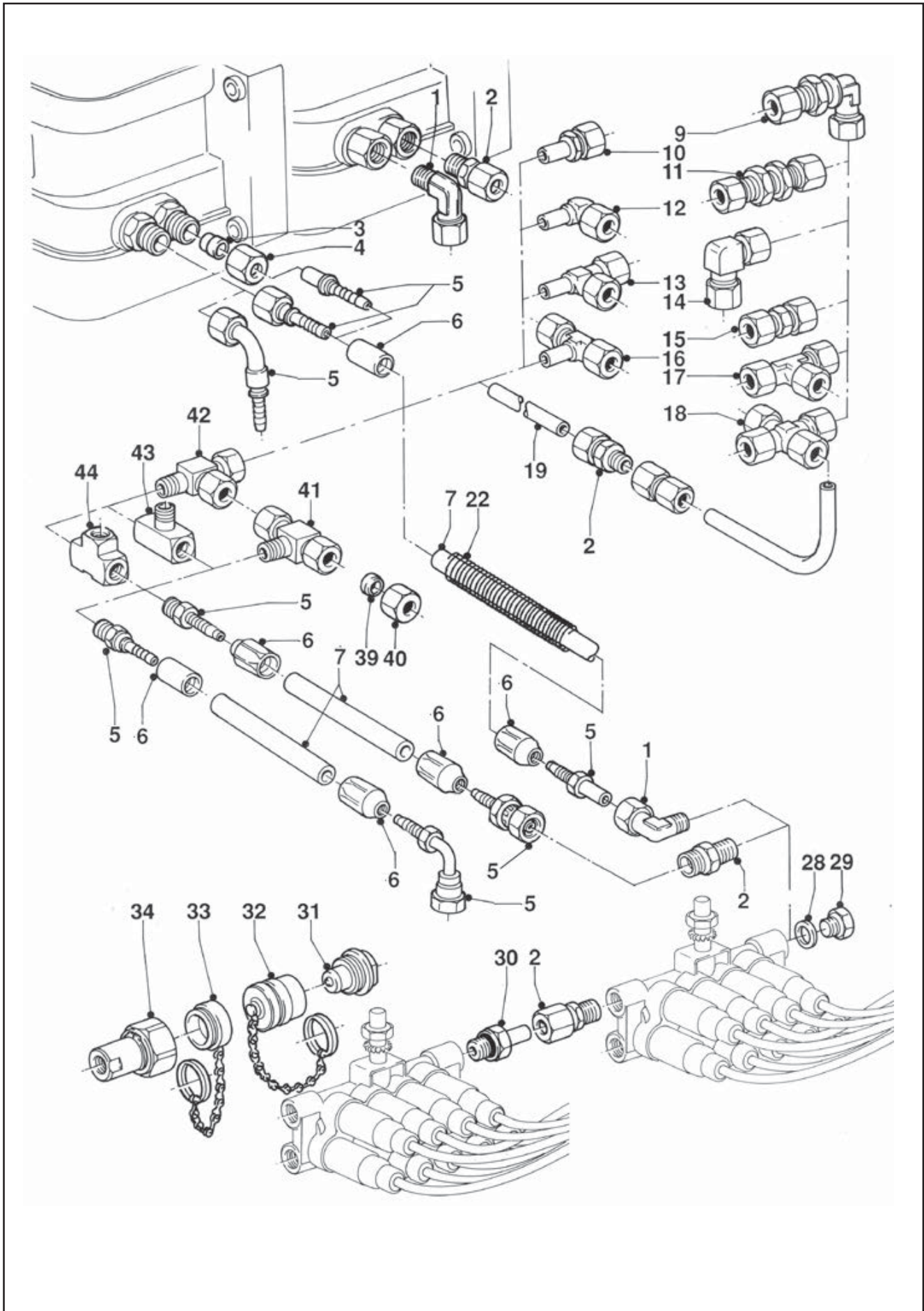
<b>Straight connecting coupling (ferrule)</b>			
<i>pos.</i>	<i>art.nr.</i>	<i>description</i>	<i>material</i>
15	565.02	Straight connecting coupling ø 8	SST
	457.02	Straight connecting coupling ø 8	ST-YG
	476.02	Straight connecting coupling ø 10	ST-YG
	176.01	Straight connecting coupling ø 10	BR
	584.02	Straight connecting coupling ø 10	SST
	494.02	Straight connecting coupling ø 12	ST-YG
	602.02	Straight connecting coupling ø 12	SST
	242.08	Straight connecting coupling ø 15	ST-YG
	617.02	Straight connecting coupling ø 15	SST
	661.02	Straight connecting coupling ø 22	ST-YG
	595.02	Straight connecting coupling ø 22	SST
	115.01	Straight connecting coupling ø 5/16"	BR
<b>T-swivel coupling (ferrule)</b>			
<i>pos.</i>	<i>art.nr.</i>	<i>description</i>	<i>material</i>
16	463.02	T-swivel coupling ø 8	SST
	159.22	T-swivel coupling ø 8	ST-YG
	590.02	T-swivel coupling ø 10	SST
	809.01	T-swivel coupling ø 10	ST-YG
	442.22	T-swivel coupling ø 10 pre-assembled	ST-YG
	166.22	T-swivel coupling ø 12	ST-YG
<b>T-equal coupling (ferrule)</b>			
<i>pos.</i>	<i>artikelnr.</i>	<i>description</i>	<i>material</i>
17	567.02	T-equal coupling ø 8	SST
	459.02	T-equal coupling ø 8	ST-YG
	F171375	T-equal coupling ø 8 body	ST-YG
	426.02	T-equal coupling ø 1/4"	BR
	17701	T-equal coupling ø 10	BR
	078.08	T-equal coupling ø 10	BR
	586.02	T-equal coupling ø 10	SST
	478.02	T-equal coupling ø 10	ST-YG
	604.02	T-equal coupling ø 12	SST
	496.02	T-equal coupling ø 12	ST-YG
	147.12	T-equal coupling ø 12 - ø 8 - ø 12	ST-YG
	615.02	T-equal coupling ø 15	SST
	306.08	T-equal coupling ø 15	ST-YG
	105.22	T-equal coupling ø 22mm	SST
	663.02	T-equal coupling ø 22mm	ST-YG
	118.01	T-equal coupling ø 5/16"	BR



<b>Cross union coupling (ferrule)</b>			
<i>pos.</i>	<i>art.nr.</i>	<i>description</i>	<i>material</i>
18	117.01	Cross union coupling ø 8	BR
	460.02	Cross union coupling ø 8	ST-YG
	479.02	Cross union coupling ø 10	ST-YG
	497.02	Cross union coupling ø 12	ST-YG
<b>Pipe</b>			
<i>pos.</i>	<i>art.nr.</i>	<i>description</i>	<i>material</i>
19	333.02	Pipe ø 8	SST
	320.02	Pipe ø 8	ST-YG
	317.02	Pipe ø 10	kunifer
	334.02	Pipe ø 10	SST
	321.02	Pipe ø 10	ST-YG
	510.22	Pipe ø 10 4mtr	ST-YG
	214.12	Pipe ø 10x50mm	ST-YG
	172.01	Pipe ø 10x5mm	ST-YG
	652.22	Pipe ø 10x6 2500mm	ST-YG
	653.22	Pipe ø 10x6 3000mm	ST-YG
	246.22	Pipe ø 10x6 800mm	ST-YG
	245.22	Pipe ø 10x8 650mm	ST-YG
	335.02	Pipe ø 12	SST
	322.02	Pipe ø 12	ST-YG
	336.02	Pipe ø 15	SST
	323.02	Pipe ø 15	ST-YG
	256.02	Pipe ø 22	SST
	326.02	Pipe ø 22	ST-YG
	316.02	Pipe ø 5/16"	kunifer
	103.12	Pipe G1/8x ø 10x1750mm	ST-YG
	254.22	Pipe G1/8x ø 10x1900mm	ST-YG
<b>Protection spiral</b>			
<i>pos.</i>	<i>art.nr.</i>	<i>description</i>	<i>material</i>
22	369.02	Protection spiral ø 23	ST-G
	749.22	Protection spiral ø 13,9 ID	ST-G

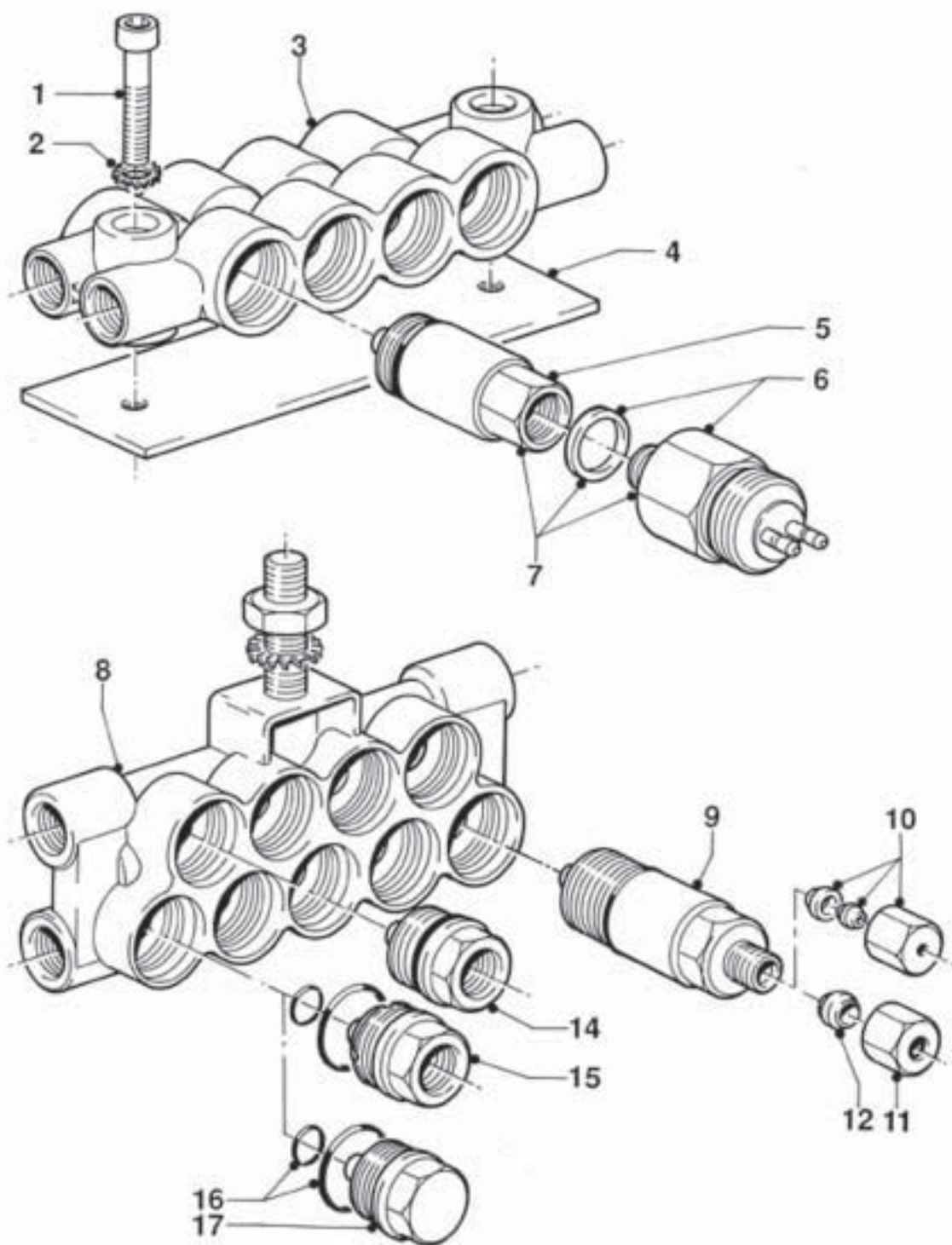


<b>Sealing ring</b>			
<i>pos.</i>	<i>art.nr.</i>	<i>description</i>	<i>material</i>
28	318.01	Sealing ring	BR
	839.01	Sealing ring	BR
<b>Threaded plug</b>			
<i>pos.</i>	<i>art.nr.</i>	<i>description</i>	<i>material</i>
29	127.01	Threaded plug R1/4	BR
	114.02	Threaded plug R1/4	SST
	329.01	Threaded plug R1/4	BR
	442.01	Threaded plug R1/4 (O-ring)	BR
<b>Stud standpipe adaptor</b>			
<i>pos.</i>	<i>art.nr.</i>	<i>description</i>	<i>material</i>
30	504.01	Stud standpipe adaptor 10 - 1/4	ST-YG
<b>Quick-disconnect coupling (screw)</b>			
<i>pos.</i>	<i>art.nr.</i>	<i>description</i>	<i>material</i>
31	801.01	Quick-disconnect coupling (male)	ST-YG
32	803.01	Dust cap for 801.01	
33	802.01	Dust cap for 800.01	
34	800.01	Quick-disconnect coupling (female)	ST-YG
<b>Quick-disconnect coupling (Pioneer)</b>			
<i>pos.</i>	<i>art.nr.</i>	<i>description</i>	<i>material</i>
31	619.02	Quick-disconnect coupling (male)	ST-YG
32	620.02	Dust cap for 619.02	ST-YG
33	621.02	Dust cap for 618.02	ST-YG
34	618.02	Quick-disconnect coupling (female)	ST-YG
<b>T-male stud coupling (ferrule)</b>			
<i>pos.</i>	<i>art.nr.</i>	<i>description</i>	<i>material</i>
41	467.22	T-male stud coupling $\varnothing$ 8 - 1/4	SST
	507.02	T-male stud coupling $\varnothing$ 8 - 1/4 NPT	ST-YG
	726.22	T-male stud coupling $\varnothing$ 8 - 1/4 NPT body	ST-YG
	592.02	T-male stud coupling $\varnothing$ 10 - 1/4 NPT	SST
	508.02	T-male stud coupling $\varnothing$ 10 - 1/4 NPT	ST-YG
	727.22	T-male stud coupling $\varnothing$ 10 - 1/4 NPT body	ST-YG
	642.22	T-male stud coupling $\varnothing$ 12 - 1/4 NPT	ST-YG
	146.12	T-male stud coupling $\varnothing$ 12 - 1/4 NPT	ST-YG
<b>L-male stud coupling (ferrule)</b>			
<i>pos.</i>	<i>art.nr.</i>	<i>description</i>	<i>material</i>
42	469.22	L-male stud coupling $\varnothing$ 8 - 1/4	SST
	724.22	L-male stud coupling $\varnothing$ 8 - 1/4 NPT body	ST-YG
	502.02	L-male stud coupling $\varnothing$ 10 - 1/4 NPTF	SST
	109.22	L-male stud coupling $\varnothing$ 10 - 1/4 NPTF	SST
	468.22	L-male stud coupling $\varnothing$ 10 - 1/4	SST
	725.22	L-male stud coupling $\varnothing$ 10 - 1/4 NPT body	ST-YG



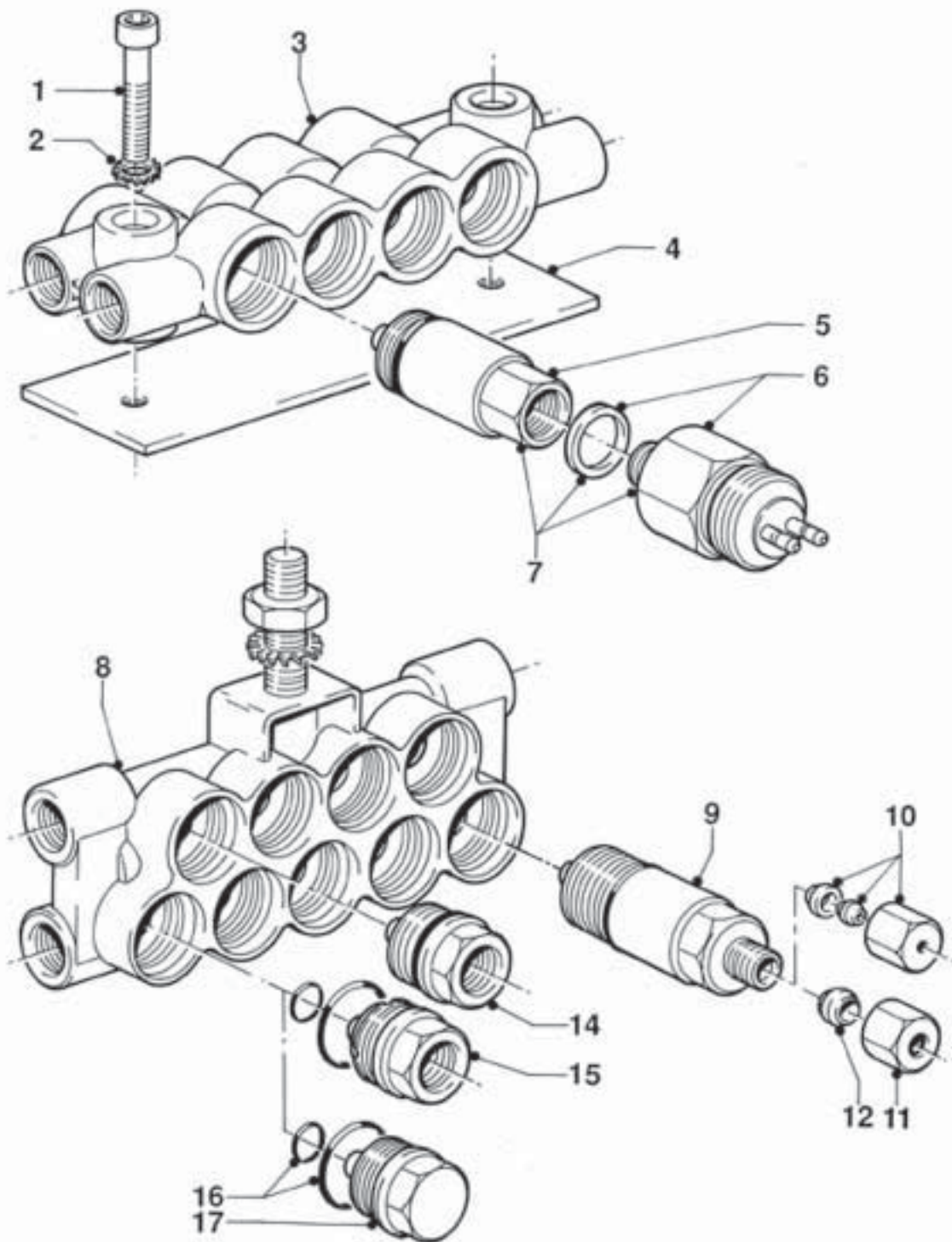


<b>T-threaded coupling</b>					
<i>pos.</i>	<i>art.nr.</i>	<i>size A</i>	<i>size B</i>	<i>size C</i>	<i>material</i>
43	440.01	1/4 NPT	1/4 (O-ring + nut)	1/4 NPT	BR
	240.01	1/4 NPT	1/4 NPT	1/4 NPT	BR
<b>T-threaded coupling</b>					
<i>pos.</i>	<i>art.nr.</i>	<i>size A</i>	<i>size B</i>	<i>size C</i>	<i>material</i>
44	087.08	1/8 NPT	1/8 NPT	1/8 NPT	BR
	088.08	1/4 NPT	1/4 NPT	1/4 NPT	BR

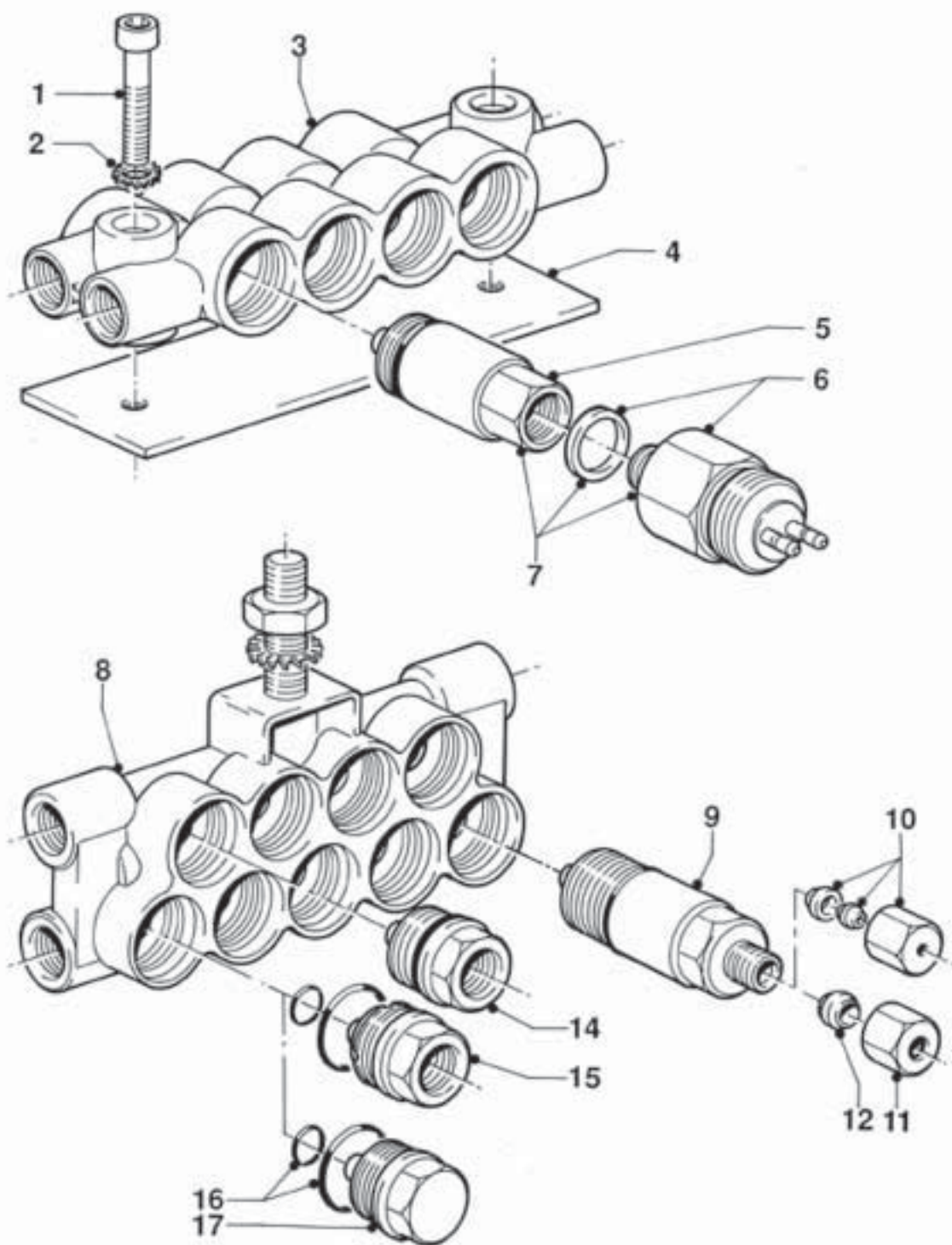


## 4 - METERING UNITS

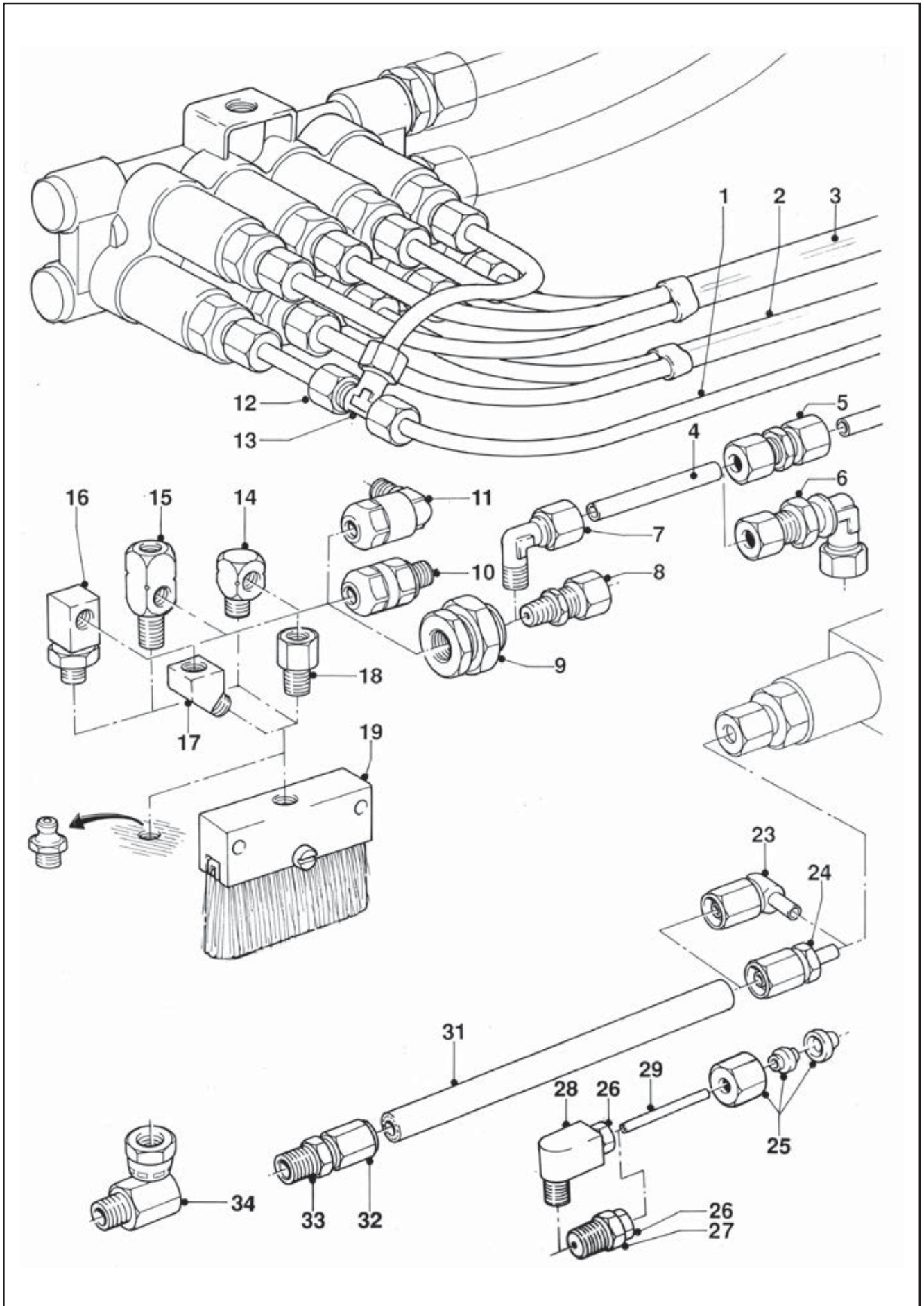
Metering units			
<i>pos</i>	<i>art.nr</i>	<i>description</i>	<i>material</i>
1	126.030	Allen bolt M6 x 30	ST-G
	136.030	Allen bolt M6 x 30	SST
2	092.02	Serrated lock washer 6,4	ST-G
	350.006	Spring washer 6,1	SST
3	432.22	2 Port block flat	SST
	433.22	3 Port block flat	SST
	434.22	4 Port block flat	SST
	435.22	6 Port block flat	SST
	436.22	2+2 Port block flat	SST
	437.22	3+3 Port block flat	SST
	438.22	4+4 Port block flat	SST
	439.22	6+6 Port block flat	SST
	705.01	8 Port block flat	BR
	729.01	2 Port block flat	BR
	750.01	3 Port block flat	BR
	755.01	2+2 Port block flat	BR
	756.01	6 Port block flat	BR
	767.01	3+3 Port block flat	BR
	771.01	4 Port block flat	BR
	772.01	4+4 Port block flat	BR
	793.01	6+6 Port block flat	BR
	964.01	10+10 Port block flat	BR
	068.17	5 Port block flat	BR
	524.22	8 Port block flat	SST
4	089.17	Mounting plate 5 port block	ST
	810.01	Mounting plate 2 port block	ST
	811.01	Mounting plate 3 port block	ST
	812.01	Mounting plate 4 port block	ST
	813.01	Mounting plate 6 port block	ST
	814.01	Mounting plate 8 port block	ST
	815.01	Mounting plate 2+2 port block	ST
	816.01	Mounting plate 3+3 port block	ST
	817.01	Mounting plate 4+4 port block	ST
	818.01	Mounting plate 6+6 port block	ST
5	666.01	Pressure switch valve	BR
	914.01	Pressure switch valve	SST
6	664.01	Pressure switch 125bar (loose)	BR
	665.01	Pressure switch 150bar (loose)	BR
	728.01	Pressure switch 175bar (loose)	BR
	766.01	Pressure switch 100bar (loose)	BR
	913.01	Pressure switch 100bar (loose)	SST
7	737.01	Pressure switch 100bar complete	BR
	F170446	Pressure switch 150bar complete	SST
	F115874	Pressure switch 150bar complete	BR
	143.17	Pressure switch 250bar complete	BR



<b>Metering units (continuation)</b>			
<i>pos</i>	<i>art.nr</i>	<i>description</i>	<i>material</i>
8	703.01	4 Port block M10	BR
	F110628	4 Port block M10 without stud	BR
	704.01	7 Port block M10	BR
	167.17	7 Port block M10 without stud	BR
	025.17	9 Port block M10	BR
	726.01	9 Port block M10	BR
	080.11	9 Port block M10 without stud	BR
	165.17	9 Port block M10	BR
	885.01	14 Port block M10	BR
	706.01	12 Port block M10	BR
	836.01	18 Port block M10	BR
	168.17	18 Port block M10 without stud	BR
	166.17	18 Port block M10	SST
	F115174	18 Port block M10 without stud	SST
	995.01	21 Port block M10	BR
	141.17	21 Port block M10 without stud	BR
	202.17	22 Port block M10	BR
	210.17	22 Port block M10 without stud	BR
	994.01	32 Port block M10	BR
9	100.17	Metering unit 0/M22/5mm/crimp	BR
	101.17	Metering unit 1/M22/5mm/crimp	BR
	102.17	Metering unit 2/M22/5mm/crimp	BR
	103.17	Metering unit 3/M22/5mm/crimp	BR
	104.17	Metering unit 4/M22/5mm/crimp	BR
	105.17	Metering unit 8/M22/5mm/crimp	BR
	194.17	Metering unit 10/M22/6mm/crimp	SST
	910.01	Metering unit 10/M22/6mm/crimp	BR
	423.22	Metering unit 0/M22/6mm/crimp	SST
	424.22	Metering unit 1/M22/6mm/crimp	SST
	425.22	Metering unit 2/M22/6mm/crimp	SST
	426.22	Metering unit 3/M22/6mm/crimp	SST
	427.22	Metering unit 4/M22/6mm/crimp	SST
	428.22	Metering unit 6/M22/6mm/crimp	SST
	429.22	Metering unit 8/M22/6mm/crimp	SST
	430.22	Metering unit 8,5/M22/6mm/crimp	SST
	431.22	Metering unit 9/M22/6mm/crimp	SST
	708.01	Metering unit 1/M22/6mm/crimp	BR
	709.01	Metering unit 2/M22/6mm/crimp	BR
	710.01	Metering unit 3/M22/6mm/crimp	BR
	711.01	Metering unit 4/M22/6mm/crimp	BR
	712.01	Metering unit 8/M22/6mm/crimp	BR
	727.01	Metering unit 6/M22/6mm/crimp	BR
	794.01	Metering unit 0/M22/6mm/crimp	BR
	795.01	Metering unit 8,5/M22/6mm/crimp	BR
	796.01	Metering unit 9/M22/6mm/crimp	BR
	804.01	Metering unit 5/M22/6mm/crimp	BR
	805.01	Metering unit 7/M22/6mm/crimp	BR



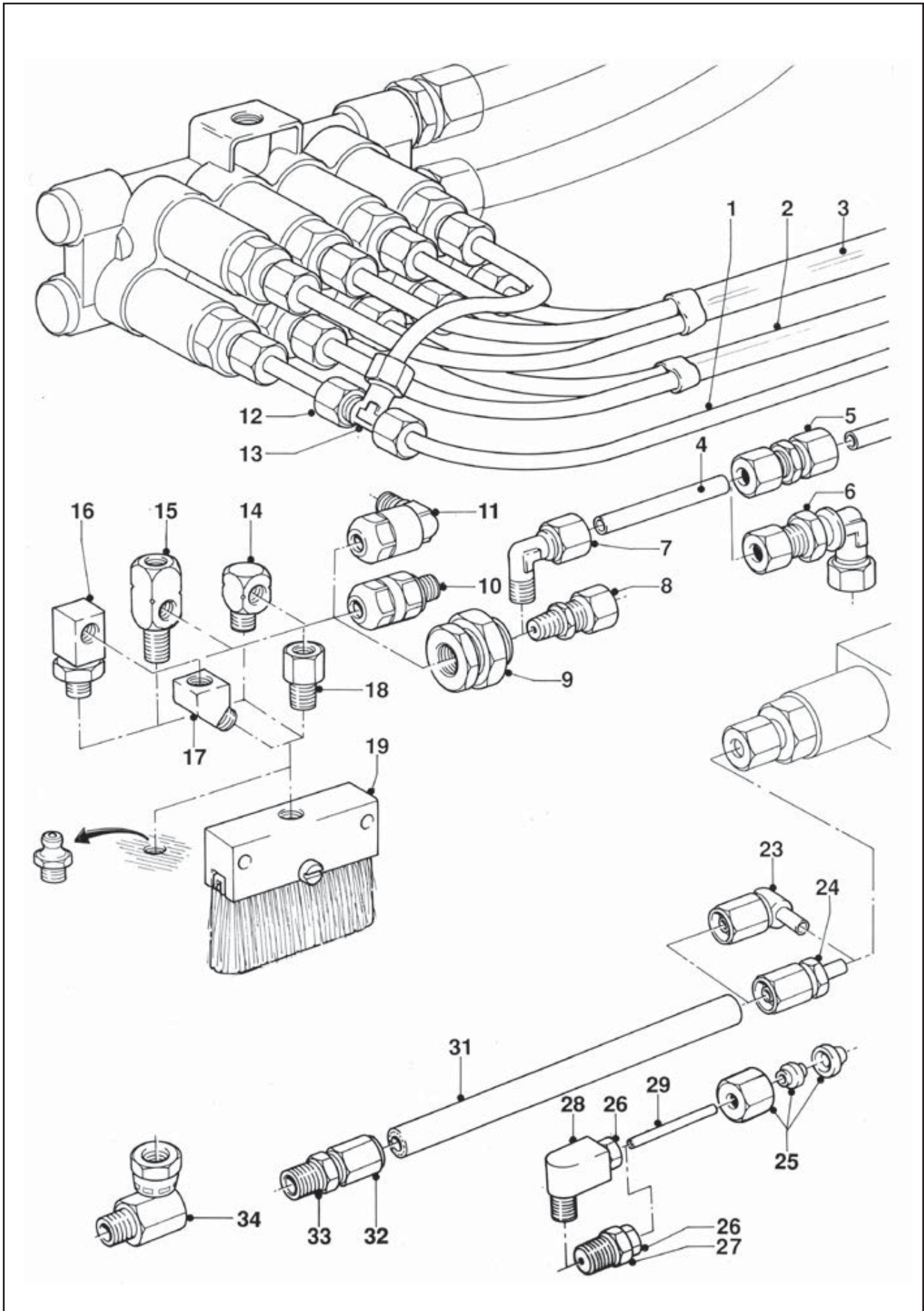
<b>Metering units (continuation)</b>			
<i>pos.</i>	<i>art.nr.</i>	<i>description</i>	<i>material</i>
10	899.01	Reduction set Ø6mm - Ø1/8"	BR
11	089.08	Nut Ø6mm/M10x1/ST	BR
	147.17	Nut Ø6mm/M10x1/ST	SST
12	098.08	Ferrule Ø6mm	BR
	146.17	Ferrule Ø6mm	SST
14	837.01	Reduction adaptor M22-1/4/Z.U.	BR
	917.01	Reduction adaptor M22-1/4/Z.U.	SST
15	838.01	Reduction adaptor M22-1/4/O.U.	BR
	916.01	Reduction adaptor M22-1/4/O.U.	SST
16	029.17	O-ring 106 (6,75x1,78) 90g	rubber
	030.17	O-ring 2075 (18.77x1.78) 90g	rubber
17	707.01	Shutt-off plug M22x1	BR
	915.01	Shutt-off plug M22x1	SST



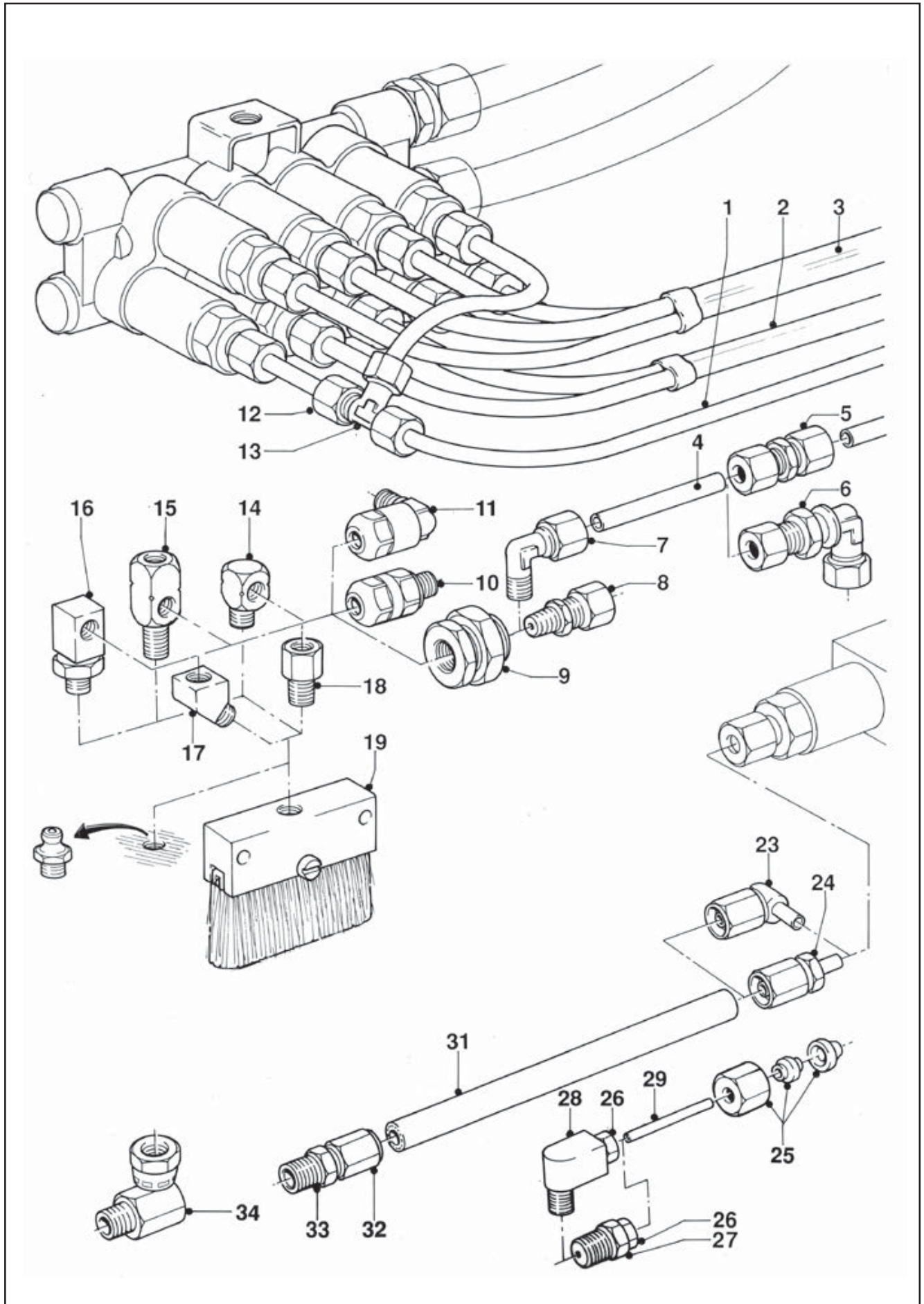


## 5 - SECONDARY TUBES

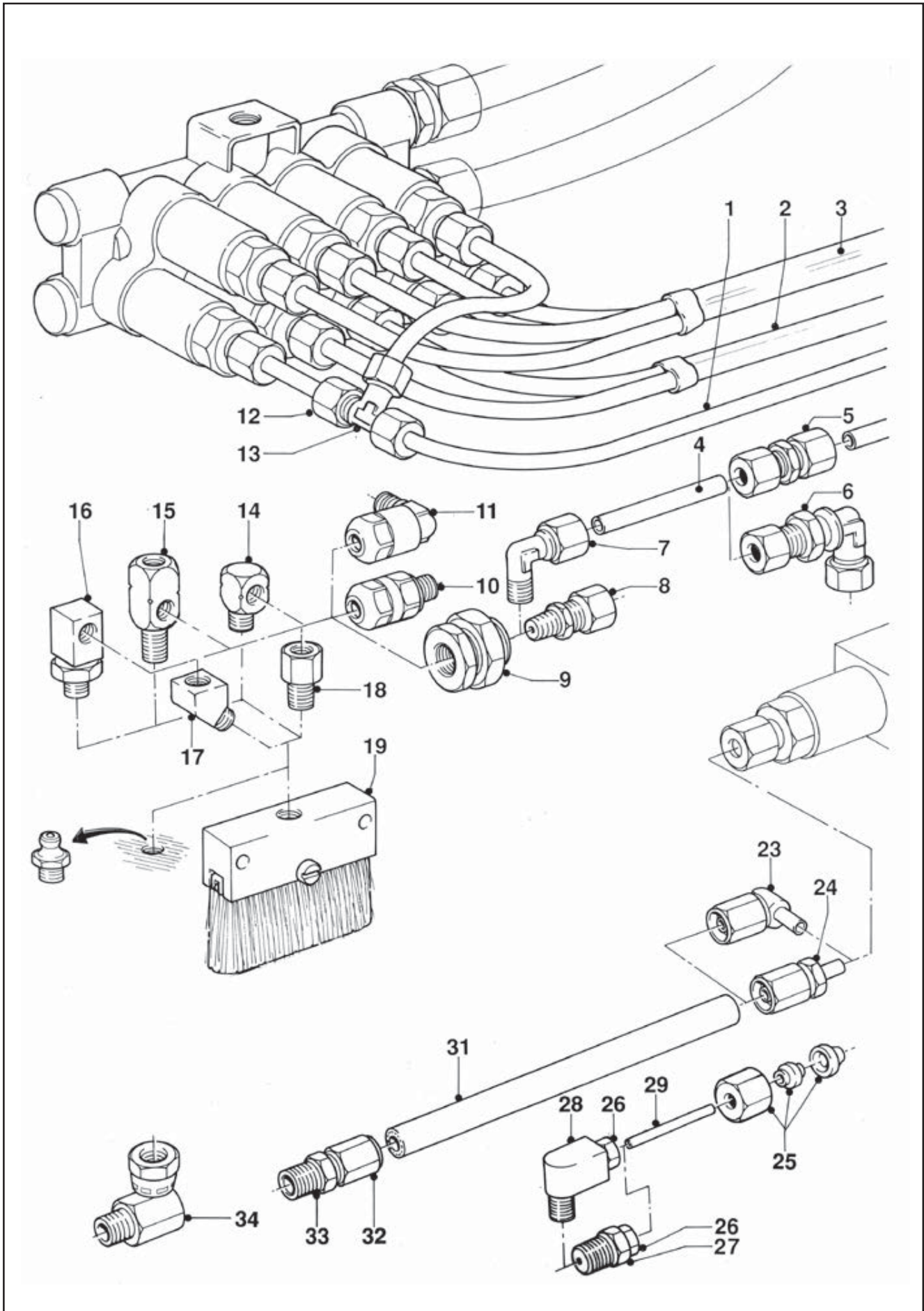
<b>Grease pipe, synthetic, single</b>			
<i>pos.</i>	<i>art.nr</i>	<i>description</i>	<i>material</i>
1	022.01	Grease pipe, single, 3/16" (DIN 73378)	PA
	022.11	Grease pipe, single, 3/16" per 3m	PA
	022.07	Grease pipe, single, 3/16" per 5m	PA
	729.22	Grease pipe, single, 3/16" per mtr. (ex. grease)	PA
	722.01	Grease pipe, single, 6mm per 3m	PA
	773.01	Grease pipe, single, 6mm per m (6x1,5 mm)	PA
<b>Grease pipe, synthetic, double</b>			
<i>pos.</i>	<i>art.nr</i>	<i>description</i>	<i>material</i>
2	023.01	Grease pipe, double, 3/16" (DIN 73378)	PA
	023.11	Grease pipe, double, 3/16" per 3m	PA
	023.17	Grease pipe, double, 3/16" per 5m	PA
	723.01	Grease pipe, double, 6mm per 3m	PA
	774.01	Grease pipe, double, 6mm per m	PA
<b>Grease pipe, synthetic, triple</b>			
<i>pos.</i>	<i>art.nr</i>	<i>description</i>	<i>material</i>
3	024.01	Grease pipe, triple, 3/16" (DIN 73378)	PA
	024.11	Grease pipe, triple, 3/16" per 3m	PA
	024.17	Grease pipe, triple, 3/16" per 5m	PA
	724.01	Grease pipe, triple, 6mm per 3m	PA
	775.01	Grease pipe, triple, 6mm per m	PA
<b>Grease pipe</b>			
<i>pos.</i>	<i>art.nr</i>	<i>description</i>	<i>material</i>
4	319.02	Grease pipe 6 mm x 1 mm (DIN 2445/2)	ST-YG
	331.02	Grease pipe 6 mm x 1 mm (ASTM A-269)	SST
	315.02	Grease pipe 3/16"	Kunifer
	328.02	Grease pipe 3/16" x 0,035" (ASTM A-269)	SST
	313.02	Grease pipe Ø6	BR
	343.22	Grease pipe Ø6	Kunifer
	330.02	Grease pipe 1/8	SST



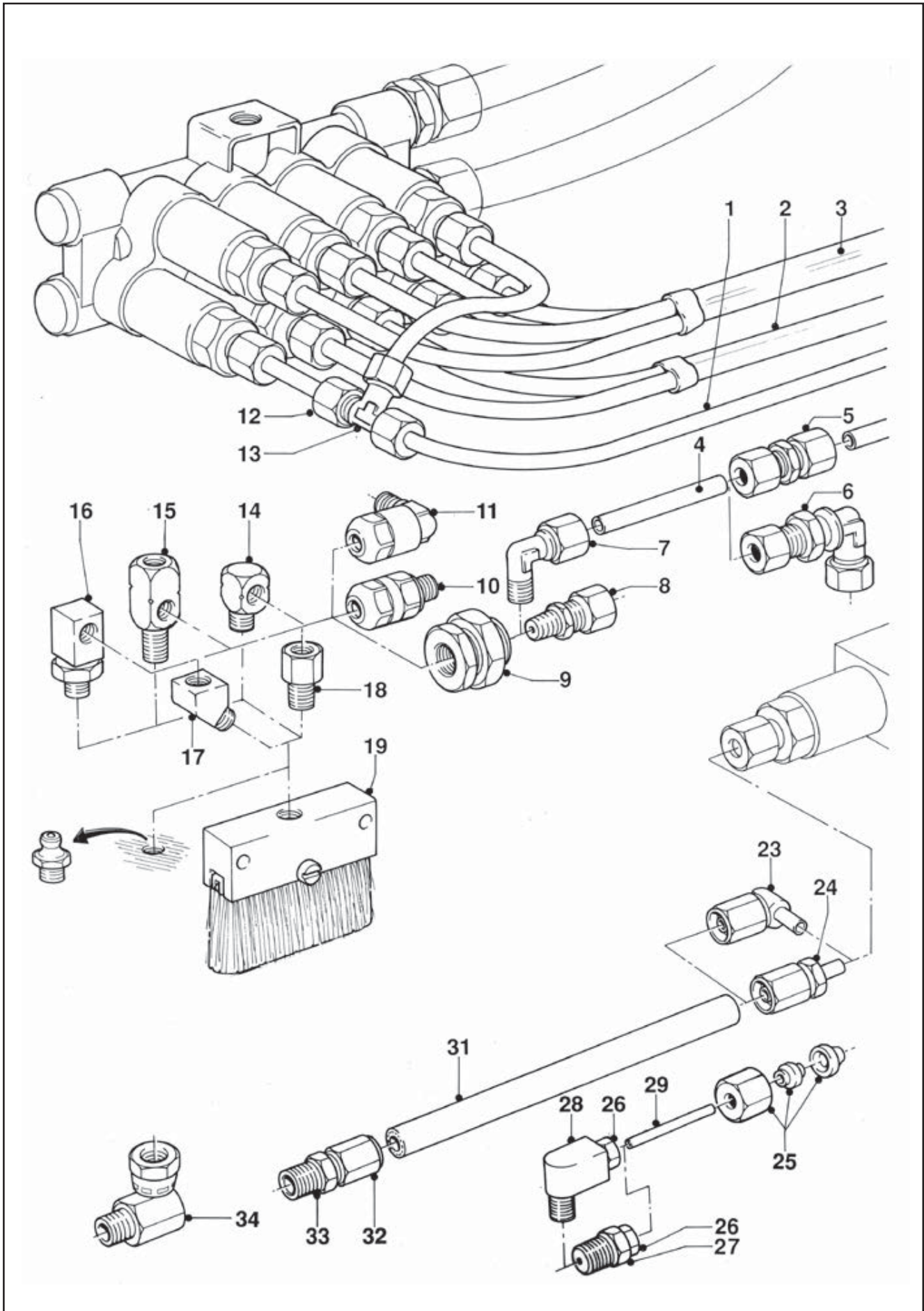
<b>Straight connecting coupling (ferrule)</b>					
<i>pos.</i>	<i>art.nr.</i>	<i>size A</i>	<i>size B</i>	<i>size C</i>	<i>material</i>
5	083.08	6	6		BR
	299.01	6	6		ST-YG
	408.02	1/8"	1/8"		BR
	106.01	3/16"	3/16"		BR
	555.22	6	6		SST
<b>Panel mount elbow union</b>					
<i>pos.</i>	<i>art.nr.</i>	<i>description</i>			<i>material</i>
6	240.12	Panel mount elbow union 6mm			SST
	223.01	Panel mount elbow union 6mm			ST-YG
<b>Male stud elbow (ferrule)</b>					
<i>pos.</i>	<i>art.nr.</i>	<i>description</i>			<i>material</i>
7	422.01	Male stud elbow $\varnothing$ 3/16 - 1/8 NPTF			BR
	137.01	Male stud elbow $\varnothing$ 3/16 - M10x1 con			BR
	121.01	Male stud elbow $\varnothing$ 3/16 - M8x1			BR
	187.01	Male stud elbow $\varnothing$ 3/16 - M8x1,5			BR
	102.01	Male stud elbow $\varnothing$ 3/16 - R1/8 NPT			BR
	531.22	Male stud elbow $\varnothing$ 6 - 1/4 NPT			ST-YG
	982.01	Male stud elbow $\varnothing$ 6 - 1/8 NPT			BR
	559.02	Male stud elbow $\varnothing$ 6 - 1/8 NPT			SST
	132.17	Male stud elbow $\varnothing$ 6 - M10x1			BR
	439.02	Male stud elbow $\varnothing$ 6 - M10x1			ST-YG
	436.02	Male stud elbow $\varnothing$ 6 - M6x1			ST-YG
	133.17	Male stud elbow $\varnothing$ 6 - M8x1			BR
	437.02	Male stud elbow $\varnothing$ 6 - M8x1			ST-YG
	082.08	Male stud elbow $\varnothing$ 6 - R1/4			BR
	562.02	Male stud elbow $\varnothing$ 6 - R1/4			SST
	080.08	Male stud elbow $\varnothing$ 6 - R1/8			BR
	438.02	Male stud elbow $\varnothing$ 6 - R1/8			ST-YG



<b>Male stud coupling (ferrule)</b>			
<i>pos.</i>	<i>art.nr.</i>	<i>description</i>	<i>material</i>
8	104.01	Male stud coupling $\varnothing$ 3/16" - 1/8	BR
	421.01	Male stud coupling $\varnothing$ 3/16" - 1/8 NPTR	BR
	138.01	Male stud coupling $\varnothing$ 3/16" - M10x1 con	BR
	212.01	Male stud coupling $\varnothing$ 3/16" - M6x1 con	ST-YG
	657.01	Male stud coupling $\varnothing$ 3/16" - M6x1 con	ST-YG(L)
	101.01	Male stud coupling $\varnothing$ 3/16" - M7x1	BR
	130.01	Male stud coupling $\varnothing$ 3/16" - M8	BR
	219.01	Male stud coupling $\varnothing$ 3/16" - M8x1 con	BR
	235.01	Male stud coupling $\varnothing$ 3/16" - M8x1 con	BR(L)
	585.01	Male stud coupling $\varnothing$ 3/16" - M8x1 con	ST-YG
	166.01	Male stud coupling $\varnothing$ 3/16" - M8x1,25 con	BR
	188.01	Male stud coupling $\varnothing$ 3/16" - M8x1,25 con	BR
	414.02	Male stud coupling $\varnothing$ 5 - M8 con	SST
	413.02	Male stud coupling $\varnothing$ 5 - R1/8	SST
	081.08	Male stud coupling $\varnothing$ 6 - 1/4	BR
	530.22	Male stud coupling $\varnothing$ 6 - 1/4 BSP	ST-YG(L)
	079.08	Male stud coupling $\varnothing$ 6 - 1/8	BR
	981.01	Male stud coupling $\varnothing$ 6 - 1/8	BR
	148.17	Male stud coupling $\varnothing$ 6 - 1/8	SST
	561.02	Male stud coupling $\varnothing$ 6 - G1/4	SST
	987.02	Male stud coupling $\varnothing$ 6 - G1/8	SST
	134.17	Male stud coupling $\varnothing$ 6 - M10x1	BR
	578.02	Male stud coupling $\varnothing$ 6 - M10x1	SST
	435.02	Male stud coupling $\varnothing$ 6 - M10x1	ST-YG
	150.17	Male stud coupling $\varnothing$ 6 - M6x1 short	ST-YG
	840.01	Male stud coupling $\varnothing$ 6 - M6x1	BR
	135.17	Male stud coupling $\varnothing$ 6 - M6x1	ST-YG
	432.02	Male stud coupling $\varnothing$ 6 - M6x1	ST-YG
	136.17	Male stud coupling $\varnothing$ 6 - M8x1	BR
	F170898	Male stud coupling $\varnothing$ 6 - M8x1	SST
	433.02	Male stud coupling $\varnothing$ 6 - M8x1	ST-YG
	434.02	Male stud coupling $\varnothing$ 6 - R1/8	ST-YG
<b>Panel mount union (threaded coupling)</b>			
<i>pos.</i>	<i>art.nr.</i>	<i>description</i>	<i>material</i>
9	209.02	Panel mount union M15 - G1/8	BR
	226.01	Panel mount union M20 - G1/4	BR

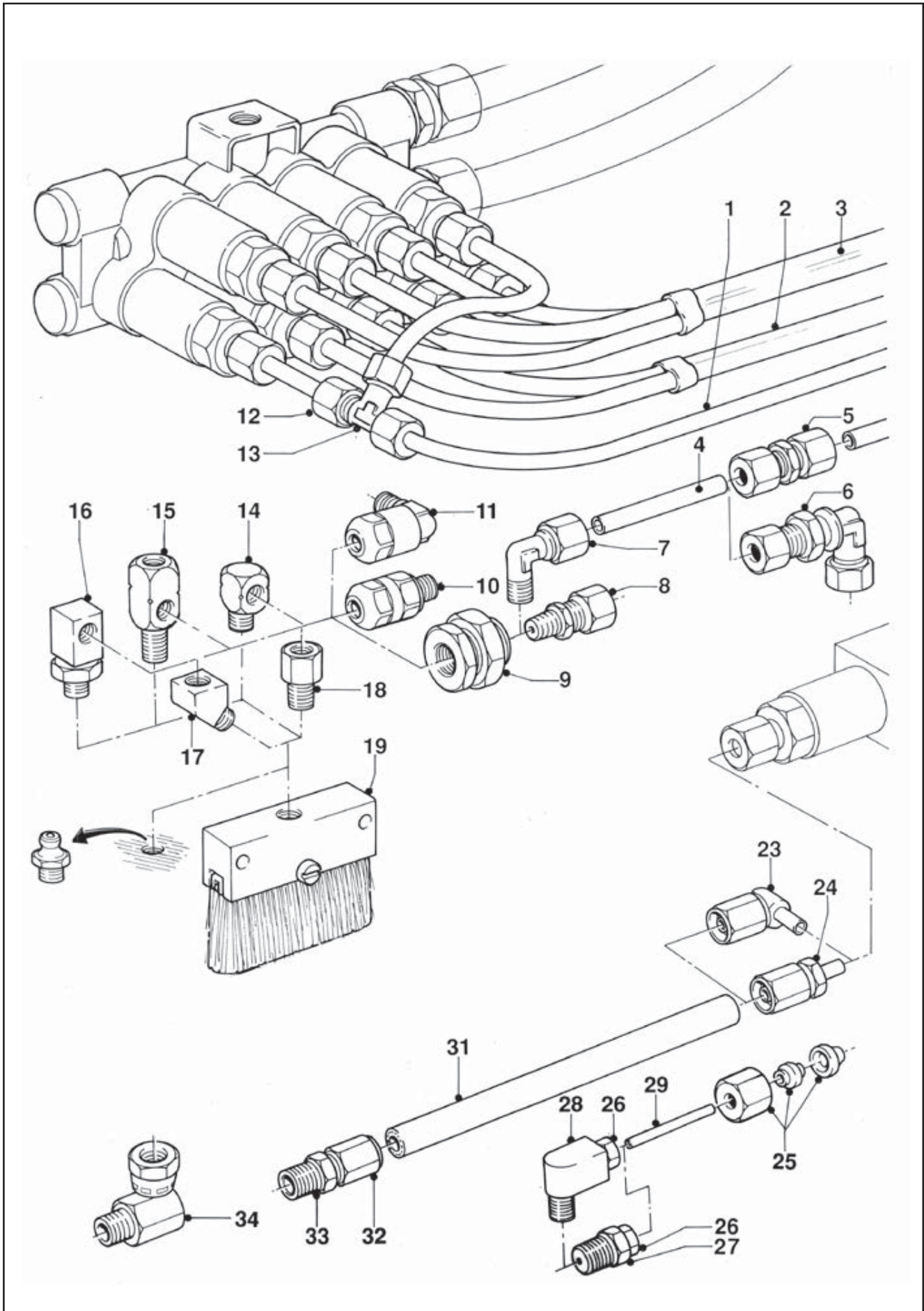


<b>Male plug-in coupling</b>			
<i>pos.</i>	<i>art.nr.</i>	<i>description</i>	<i>material</i>
10	036.11	Male plug-in coupling $\varnothing$ 3/16 - 1/8 NPT	BR
	922.01	Male plug-in coupling $\varnothing$ 3/16 - 1/8 - 27 NPTF	BR
	105.01	Male plug-in coupling $\varnothing$ 3/16 - G1/8	BR
	035.11	Male plug-in coupling $\varnothing$ 3/16 - M8x1	BR
	758.01	Male plug-in coupling $\varnothing$ 3/16 - M8x1	BR
	759.01	Male plug-in coupling $\varnothing$ 3/16 - M10x1	BR
	085.16	Male plug-in coupling $\varnothing$ 3/16 - M6x1	ST-YG
	086.16	Male plug-in coupling $\varnothing$ 3/16 - M6x1 short	ST-YG
	061.11	Male plug-in coupling $\varnothing$ 3/16 - R1/8	BR
	087.16	Male plug-in coupling $\varnothing$ 3/16 - R1/8	ST-YG
	587.22	Male plug-in coupling $\varnothing$ 4 - M6	BR
	194.01	Male plug-in coupling $\varnothing$ 6 - G1/8	BR
	886.01	Male plug-in coupling $\varnothing$ 6 - M6x1	BR
<b>Male plug-in elbow</b>			
<i>pos.</i>	<i>art.nr.</i>	<i>description</i>	<i>material</i>
11	037.11	Male plug-in elbow $\varnothing$ 3/16 - 1/8 NPT	BR
	921.01	Male plug-in elbow $\varnothing$ 3/16 - 1/8 - 27 NPTF	BR
	495.01	Male plug-in elbow $\varnothing$ 3/16 - M8x1	BR
	760.01	Male plug-in elbow $\varnothing$ 3/16 - M8x1	BR
	034.11	Male plug-in elbow $\varnothing$ 3/16 - M8x1	BR
	496.01	Male plug-in elbow $\varnothing$ 3/16 - M10x1	BR
	761.01	Male plug-in elbow $\varnothing$ 3/16 - M10x1	BR
	060.11	Male plug-in elbow $\varnothing$ 3/16 - R1/8	BR
	577.22	Male plug-in elbow $\varnothing$ 4 - M10	BR
	664.09	Male plug-in elbow $\varnothing$ 5 - G1/8	BR
	578.22	Male plug-in elbow $\varnothing$ 6 - 1/8 NPT	BR
	191.01	Male plug-in elbow $\varnothing$ 6 - G1/8	BR
	170.33	Male plug-in elbow $\varnothing$ 6 - M5	BR
	079.04	Male plug-in elbow $\varnothing$ 6 - R1/8	BR

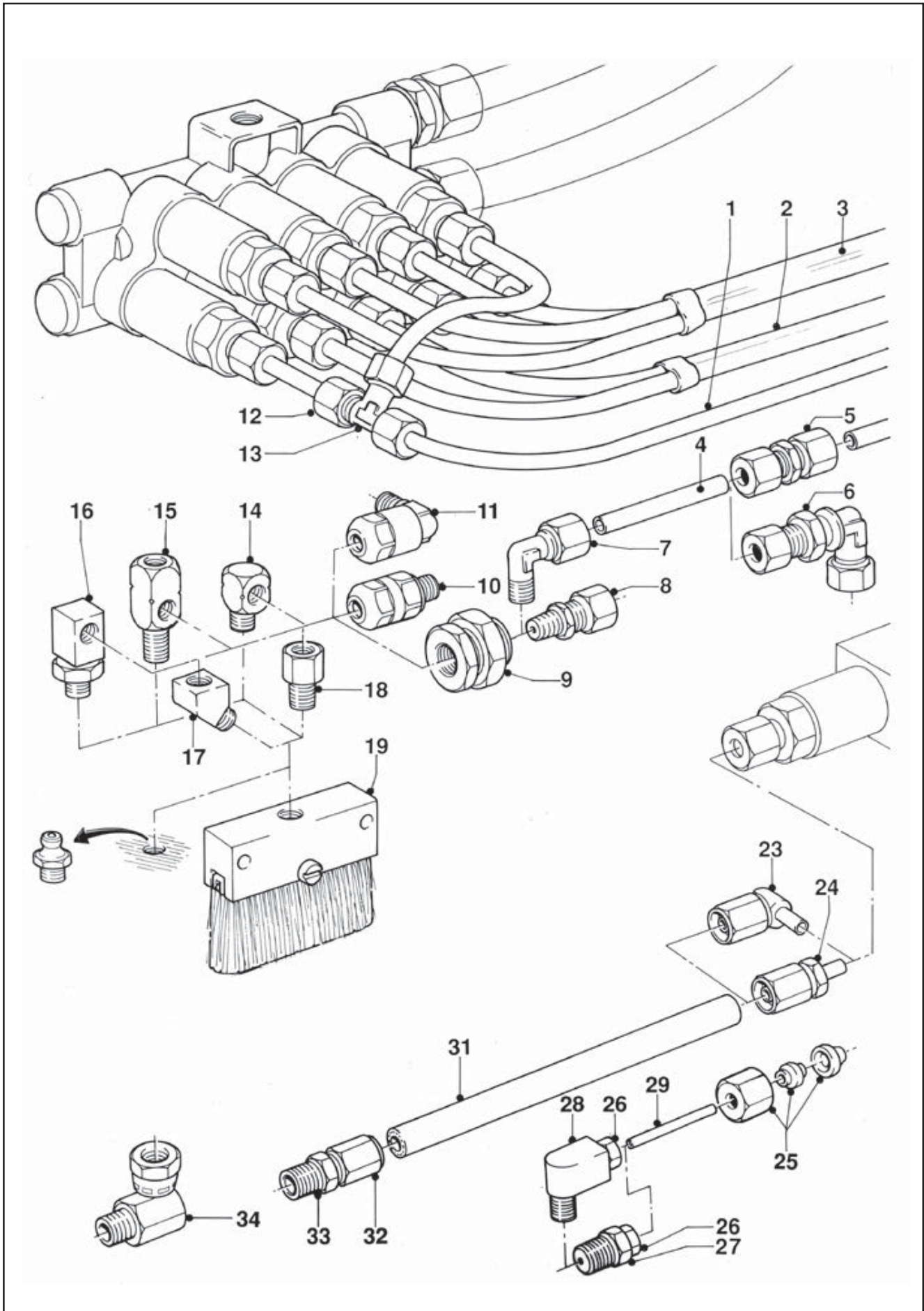




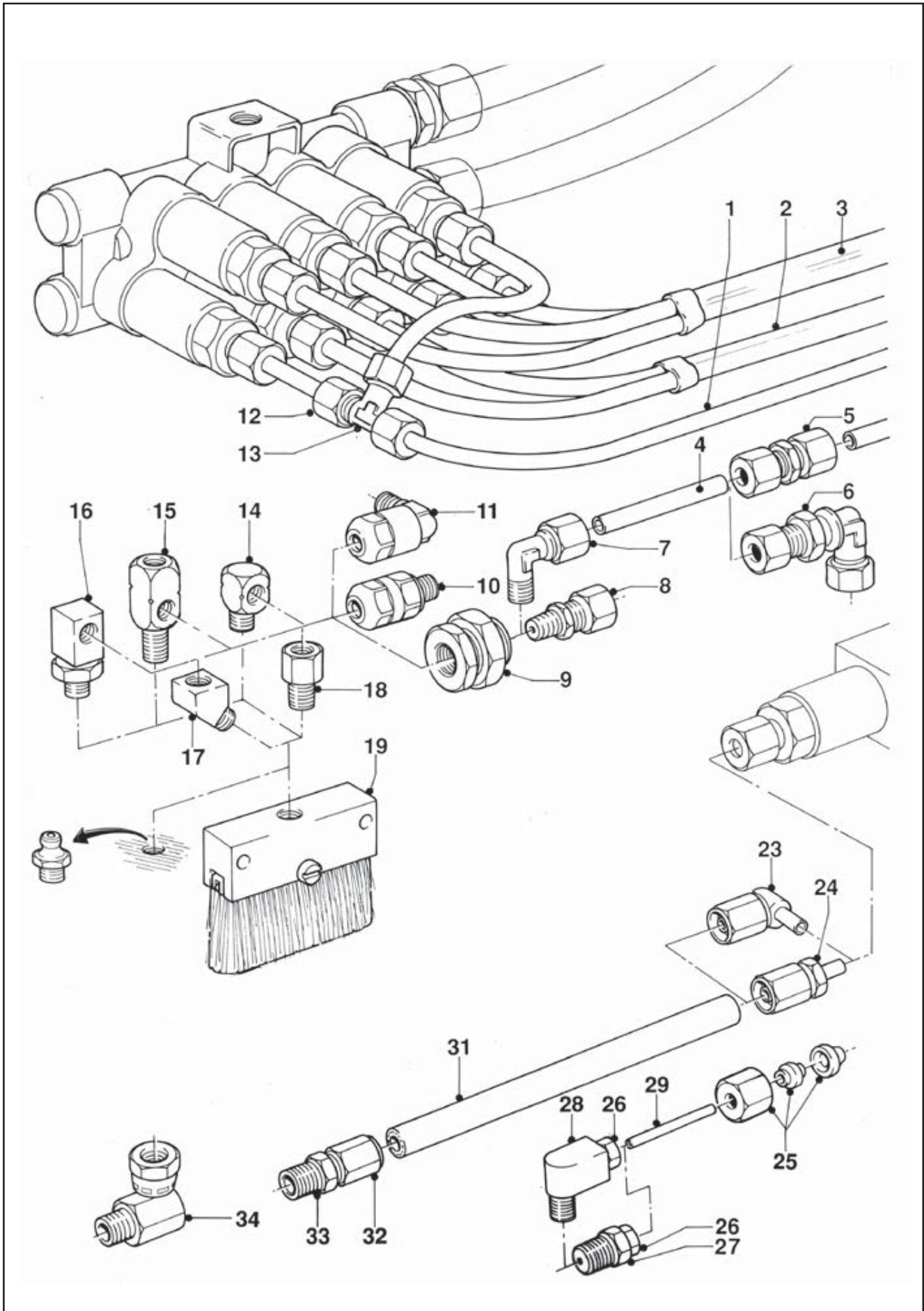
<b>Nut / Ferrule</b>					
<i>pos.</i>	<i>art.nr.</i>	<i>size A</i>	<i>size B</i>	<i>size C</i>	<i>material</i>
<i>Nut</i>					
12	417.02	5	M10x1		SST
	170.02	6	M10x1		ST-YG
	157.01	3/16"	3/8 UNF		BR
	107.01	3/16"	M10x1		BR
	089.08	6	M10x1		BR
	013.16	6	M12x1		ST-YG
<i>Single sided ferrule</i>					
12	171.02	6			ST-YG
	429.02	6			SST
	158.01	3/16"			BR
	537.22	5			SST
<i>2-Sided ferrule</i>					
12	098.08	6			BR
	108.01	3/16"			BR
	418.02	3/16"			SST
<b>T-equal coupling (ferrule)</b>					
<i>pos.</i>	<i>art.nr.</i>	<i>size A</i>	<i>size B</i>	<i>size C</i>	<i>material</i>
13	141.01	5	5		BR
	446.02	5	5		SST
	074.08	6	6		BR
	560.02	6	6		SST
<b>Male stud elbow</b>					
<i>pos.</i>	<i>artnr.</i>	<i>size A</i>	<i>size B</i>	<i>size C</i>	<i>material</i>
14	085.01	1/4 UNF	1/8G		ST-YG
	021.01	1/4 UNF	1/8G		ST-YG
	445.02	1/4 UNF	1/8G		SST
	979.01	1/8 NPTF	1/8 NPTF		ST-YG
	933.01	1/8 NPT.	1/8 NPT		ST-YG
	633.02	1/8 NPT.	G1/8		SST
	150.01	G1/8	G1/8		ST-YG
	147.01	M10x1	M10x1		BR
	151.11	M10x1	M10x1		BR
	213.01	M6x1 con	M8x1		ST-YG
	F170875	M6x1 con	M8x1		SST
	930.01	M8x1,25	M8x1,25		BR
	055.11	M8x1	M8x1	l=44	ST-YG
	412.01	M8x1 con	M8x1		BR
	415.02	M8x1 con	M8		BR
	148.01	M8x1 con	M8x1		BR
	983.01	M8x1 con.L.	M8x1		ST-YG
	827.01	R1/4	R1/4		ST-YG
	062.11	R1/8	R1/8		ST-YG



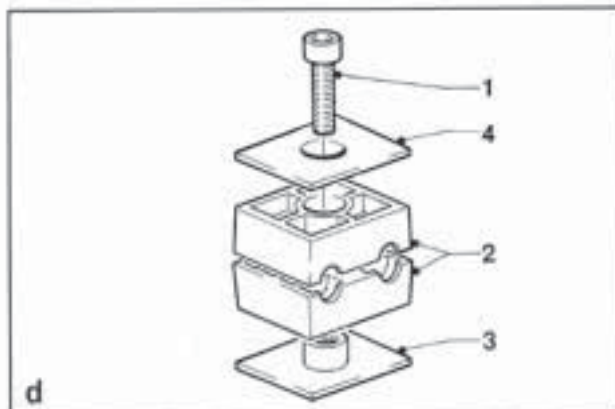
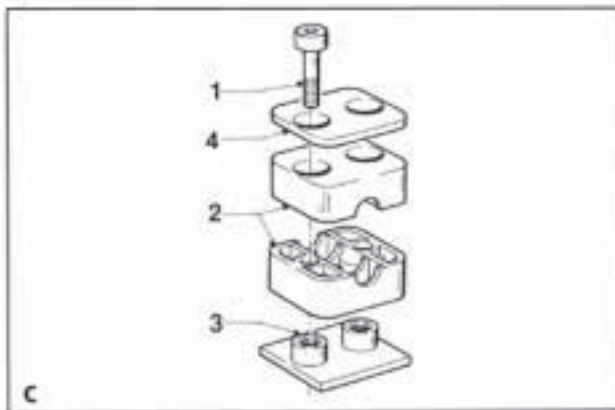
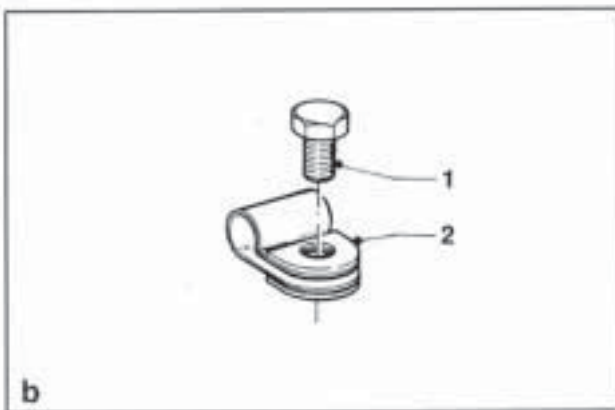
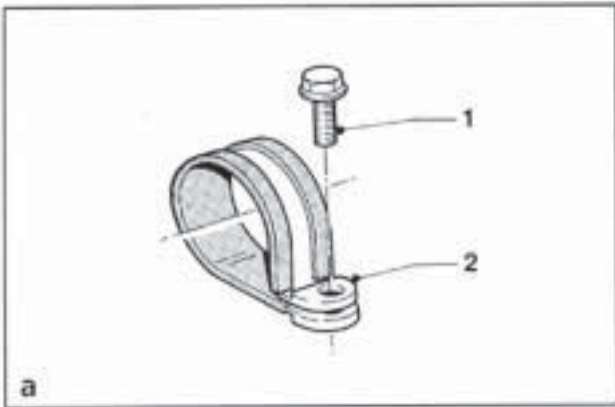
<b>L-connector female</b>					
<i>pos.</i>	<i>art.nr.</i>	<i>size A</i>	<i>size B</i>	<i>size C</i>	<i>material</i>
15	206.01	M8x1	M8x1 con	M8x1	BR
	239.01	M10x1	M10x1 con	M10x1	BR
	392.02	G 1/8	M8x1	M8x1	BR (right execution)
	399.02	G 1/8	M8x1	M8x1	BR (left execution)
	205.01	G 1/8	R 1/8	G 1/8	BR
<b>Stud elbow rotatable</b>					
<i>pos.</i>	<i>art.nr.</i>	<i>size A</i>	<i>size B</i>	<i>size C</i>	<i>material</i>
16	214.01	M8x1 con	M8x1 con		BR
	149.01	G 1/8	R 1/8		BR
	635.02	G 1/8	R 1/8		ST-YG
	643.02	10	R 1/4		ST-YG
<b>45°-Male stud elbow</b>					
<i>pos.</i>	<i>art.nr.</i>	<i>size A</i>	<i>size B</i>	<i>size C</i>	<i>material</i>
17	139.01	1/8 - 27 NPT	1/8 - 27 NPT		BR
	327.01	1/4"	1/4"		ST-YG
<b>Reduction-adaptor</b>					
<i>pos.</i>	<i>art.nr.</i>	<i>size A</i>	<i>size B</i>	<i>size C</i>	<i>material</i>
18	811.22	1/4"	1/4" NPT		BR
	641.02	1/4 - 18 NPT	1/4 NPT		ST-YG
	029.01	1/4 - 18 NPT	1/8 - 27 NPT		BR
	618.01	1/8 NPT	1/4" G	L60mm	ST-YG
	238.12	1/8 NPT	1/4" G	60	SST
	F170988	1/8	1/8	80	SST
	640.02	1/8	27 NPTF	1/8 NPT	ST-YG
	980.01	1/8 NPTF		22mm	BR
	333.01	1/8 NPTF		42mm	ST-YG
	977.01	1/8 NPTF		70mm	ST-YG
	152.01	G1/8	1/4	28 UNF	BR
	F170989	G1/8	1/4	28 UNF	SST
	155.01	G1/8	M8x1 con		BR
	116.08	G1/8	R1/8	80	BR
	085.08	G1/8	R1/8		BR
	632.02	G1/8	G1/4		ST-YG
	129.22	G1/8	R1/8		ST-YG
	444.02	G1/8	R1/8		SST
	161.11	M10x1 vst			ST-YG
	479.01	M10xM8			ST-YG
	156.01	M8x1	M8x1 con		ST-YG
<b>Grease brush</b>					
<i>pos.</i>	<i>art.nr.</i>	<i>description</i>			<i>material</i>
19	659.02	Grease brush G 1/8, flat (5,5 cm wide)			
	658.02	Grease brush G 1/8, round (1,5 cm wide)			
	660.02	Grease brush G 1/8, round			phosphor bronze



<b>Elbow stand pipe, canvas-hose 3/16"</b>					
<i>pos.</i>	<i>art.nr.</i>	<i>description</i>			<i>material</i>
23	306.02	Elbow stand pipe, 1/8"			ST-YG
	448.01	Elbow stand pipe, 3/16"			ST-YG
	168.11	Elbow stand pipe, 6mm			ST-YG
<b>Straight stand pipe, canvas-hose 3/16"</b>					
<i>pos.</i>	<i>art.nr.</i>	<i>description</i>			<i>material</i>
24	307.02	Straight stand pipe, 1/8"			ST-YG
	447.01	Straight stand pipe, 3/16"			ST-YG
	167.11	Straight stand pipe, 6mm			ST-YG
<b>Reduction set</b>					
<i>pos.</i>	<i>art.nr.</i>	<i>size A</i>	<i>size B</i>	<i>size C</i>	<i>material</i>
25	427.01	3/16"	4		BR
	236.01	3/16"	1/8"		BR
<b>Nut (feedline)</b>					
<i>pos.</i>	<i>art.nr.</i>	<i>size A</i>	<i>size B</i>	<i>size C</i>	<i>material</i>
26	411.02	1/8"	1/8 NPT		BR (feedline)
	449.02	1/8"	1/8 NPT		SST (feedline)
<b>Male stud coupling (feedline) inclusive nut</b>					
<i>pos.</i>	<i>art.nr.</i>	<i>size A</i>	<i>size B</i>	<i>size C</i>	<i>material</i>
27	403.02	1/8"	1/4-28 NPT		ST-YG (feedline)
	404.02	1/8"	5/16-32 NPT		ST-YG (feedline)
	405.02	1/8"	1/8-27 NPT		BR (feedline)
	447.02	1/8"	1/8-27 NPT		SST (feedline)
<b>Male stud elbow (feedline) inclusive nut</b>					
<i>pos.</i>	<i>art.nr.</i>	<i>size A</i>	<i>size B</i>	<i>size C</i>	<i>material</i>
28	400.02	1/8"	1/4-28 NPT		BR (feedline)
	401.02	1/8"	5/16-32 NPT		BR (feedline)
	402.02	1/8-27 NPT	1/8 NPT		BR (feedline)
	448.02	1/8"	1/8 NPT		SST (feedline)
<b>Feedline</b>					
<i>pos.</i>	<i>art.nr.</i>	<i>description</i>			<i>material</i>
29	300.02	Grease pipe 1/8" x 0,022"			PA (feedline)
	330.02	Grease pipe 1/8" x 0,020" (ASTM A-269)			SST (feedline)



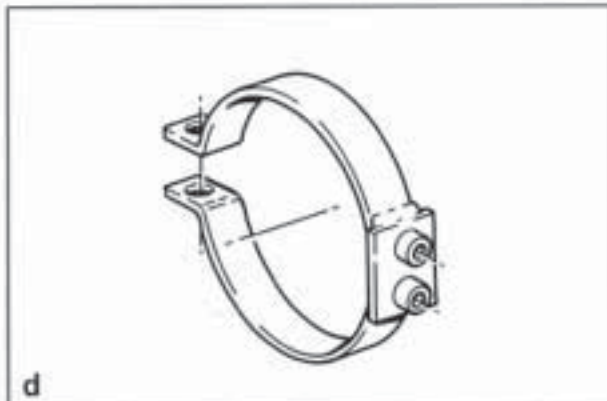
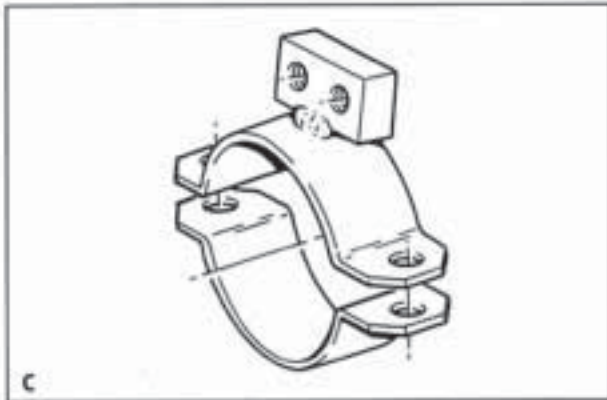
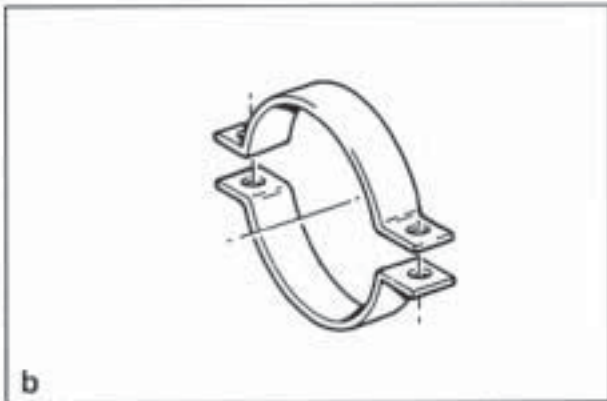
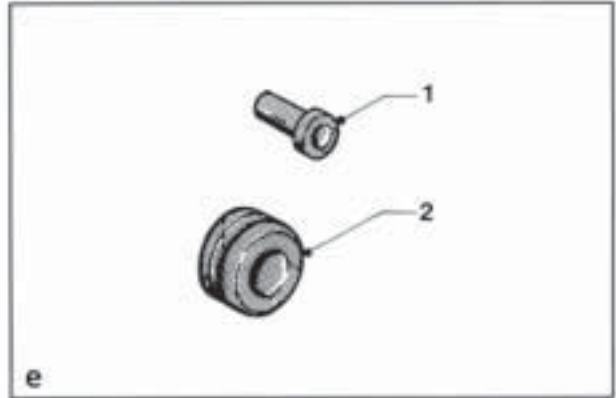
<b>Canvas-hose 3/16"</b>					
<i>pos.</i>	<i>art.nr.</i>	<i>description</i>			<i>material</i>
31	305.02	Canvas-hose 3/16 "-4,8 mm (SAE 30 R3)			
<b>Screw socket, canvas-hose 3/16"</b>					
<i>pos.</i>	<i>art.nr.</i>	<i>description</i>			<i>material</i>
32	449.01	Screw socket			ST-YG
<b>Straight stand pipe, canvas-hose 3/16"</b>					
<i>pos.</i>	<i>art.nr.</i>	<i>description</i>			<i>material</i>
33	308.02	Straight stand pipe, 1/8-27 NPTF			ST-YG
<b>Male stud elbow</b>					
<i>pos.</i>	<i>art.nr.</i>	<i>size A</i>	<i>size B</i>	<i>size C</i>	<i>material</i>
34	645.02	1/8-27 NPTF	1/8 NPT		ST-G
	646.02	1/4-18 NPTF	1/4 NPT		ST-G
<b>Male stud coupling</b>					
<i>pos.</i>	<i>art.nr.</i>	<i>size A</i>	<i>size B</i>	<i>size C</i>	<i>material</i>
36	640.02	1/8-27 NPTF	1/8 NPT		ST-YG
	641.02	1/4-18 NPTF	1/4 NPT		ST-YG



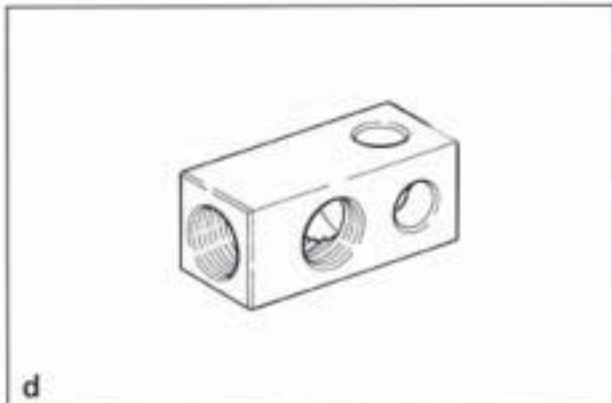
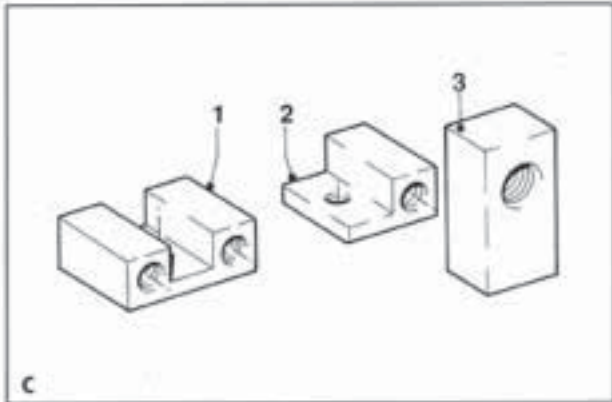
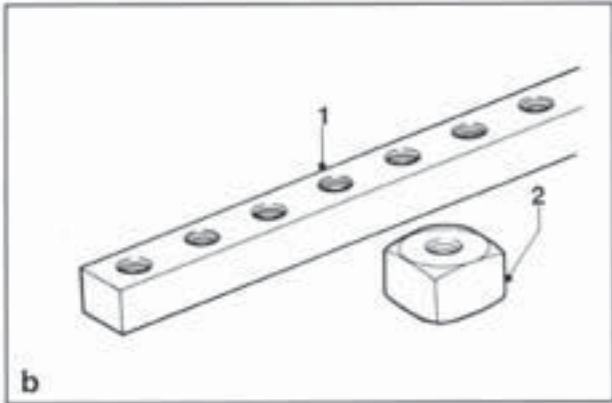
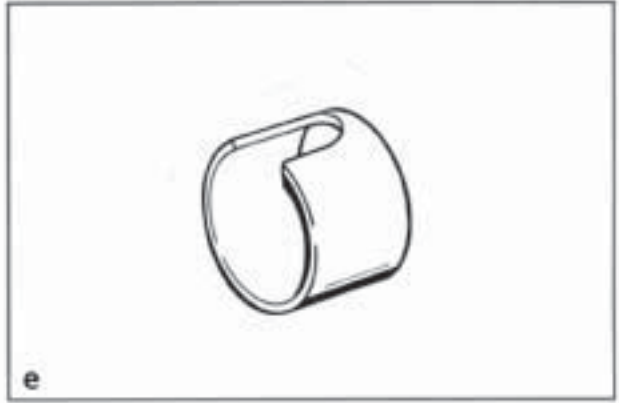
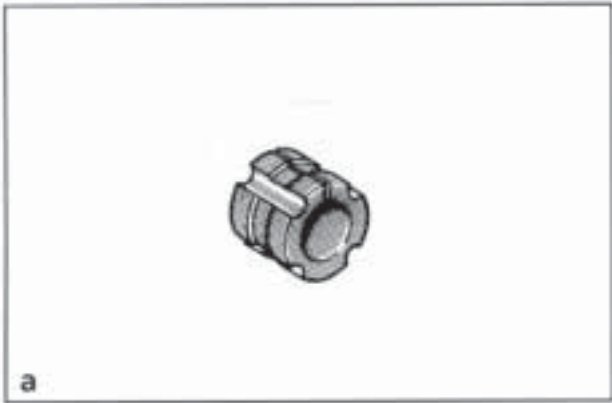


## 6 - VARIOUS MATERIALS AND PARTS

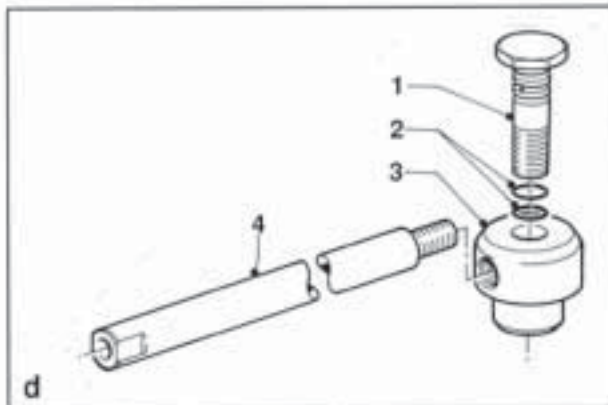
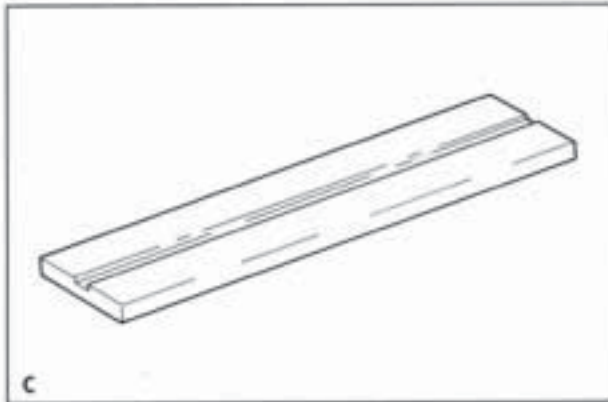
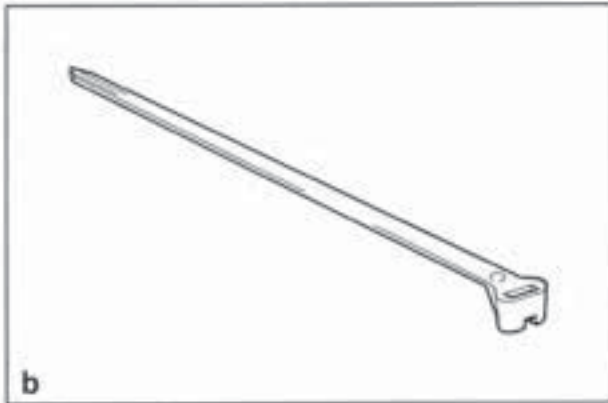
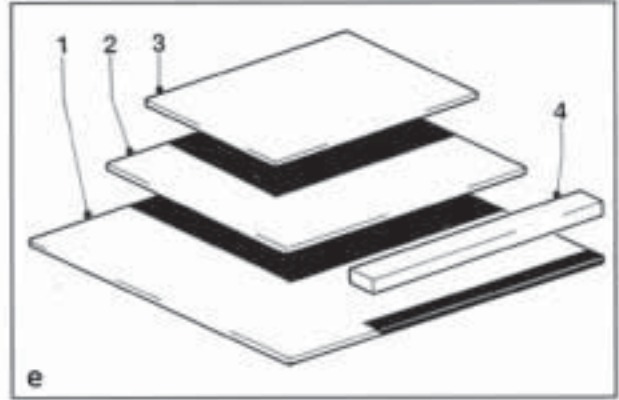
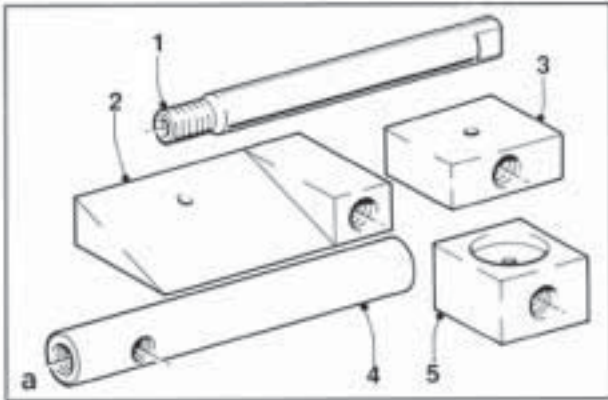
Clamping materials					
a. Clamp (rubber lining)					
pos.	art.nr.	description	pos.	art.nr.	description
1	027.01	Screw, self-tapping M5x10	2	013.08	Clamp, rubber lining 12 mm (M5)
	814.02	Screw M5x10 (SST)		001.12	Clamp, rubber lining 14 mm (M5)
	786.06	Screw, self-drilling 4,8x16		002.12	Clamp, rubber lining 16 mm (M5)
2	009.08	Clamp, rubber lining 4 mm (M5)		085.12	Clamp, rubber lining 16 mm (M8)
	810.02	Clamp, rubber lining 4 mm (M5) SST		003.12	Clamp, rubber lining 18 mm (M5)
	F170756	Clamp, rubber lining 6 mm (M10)		008.08	Clamp, rubber lining 18 mm (M6)
	010.08	Clamp, rubber lining 6 mm (M5)		230.09	Clamp, rubber lining 18 mm (M8)
	811.02	Clamp, rubber lining 6 mm (M5) SST		014.08	Clamp, rubber lining 20 mm (M5)
	011.08	Clamp, rubber lining 8 mm (M5)		229.09	Clamp, rubber lining 22 mm (M6)
	812.02	Clamp, rubber lining 8 mm (M5) SST		143.08	Clamp, rubber lining 25 mm (M6)
	349.08	Clamp, rubber lining 8 mm (M8)		181.12	Clamp, rubber lining 28 mm (M8)
	012.08	Clamp, rubber lining 10 mm (M5)		231.09	Clamp, rubber lining 28 mm (M8)
	813.02	Clamp, rubber lining 10 mm (M5) SST		035.08	Clamp, rubber lining 35 mm (M6)
	142.08	Clamp, rubber lining 10 mm (M6)			
b. Clamp (without rubber lining)					
pos.	art.nr.	description	pos.	art.nr.	description
1	027.01	Screw, self-tapping M5x10	2	804.02	Clamp 4 mm (SST)
	814.02	Screw M5x10 (SST)		805.02	Clamp 5 mm (SST)
	786.06	Screw, self-drilling 4,8x16		806.02	Clamp 6 mm (SST)
c. Pipe clamps with weldplate					
pos.	art.nr.	description	pos.	art.nr.	description
1	089.02	Allen bolt M6x20	3	820.02	Weldplate for Ø 6-12 mm-clamp
	126025	Allen bolt M6x25		821.02	Weldplate for Ø 15 mm-clamp
	126030	Allen bolt M6x30		839.02	Weldplate for Ø 22 mm-clamp/ Ø 25mm
	193.22	Allen bolt M6x60		061.02	Bracket for clamp Ø 6-12 mm, L=70mm
2	815.02	Clamp Ø 6 mm		064.02	Bracket for clamp Ø 15 mm, L=75mm
	816.02	Clamp Ø 8 mm		065.02	Bracket for clamp Ø 22 mm, L=80mm
	817.02	Clamp Ø 10 mm	4	216.12	Cover plate 6-12 SST
	818.02	Clamp Ø 12 mm		16.012	Cover plate 6-12
	819.02	Clamp Ø 15 mm		159.12	Cover plate 25
	838.02	Clamp Ø 22 mm		F170287	Cover plate 27-30mm
	157.12	Clamp Ø 25 mm		F170286	Cover plate 14-18mm
d. Pipe clamps with weldplate					
pos.	art.nr.	description	pos.	art.nr.	description
1	126030	Allen bolt M6x30	2	153.12	Clamp, double ø 16mm
	126035	Allen bolt M6x35		129.12	Clamp, double ø 22mm
	126040	Allen bolt M6x40	3	788.01	Weldplate, clamp double 6/12mm
	126050	Allen bolt M6x50		154.12	Weldplate, clamp double 4/18mm
	126060	Allen bolt M6x60		130.12	Weldplate, clamp double 22mm
2	784.01	Clamp, double ø 6mm	4	241.12	Coverplate, clamp double 20-25 SST
	785.01	Clamp, double ø 8mm		215.12	Coverplate, clamp double 6-12 SST
	786.01	Clamp, double ø 10mm		156.12	Coverplate, clamp double 20-25
	787.01	Clamp, double ø 12mm		155.12	Coverplate, clamp double 14-18
	152.12	Clamp, double ø 15mm		133.12	Coverplate, clamp double 6-12



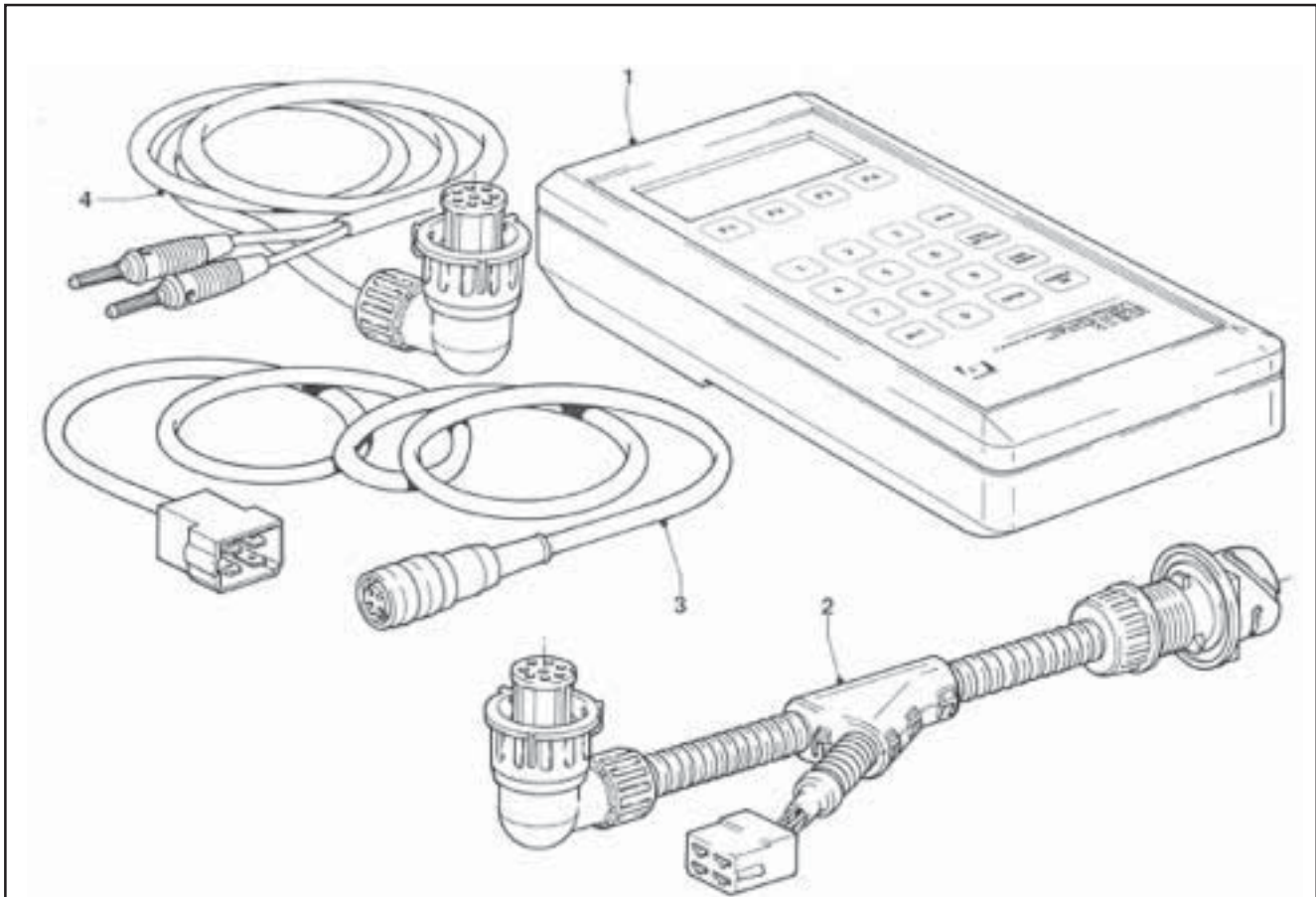
<b>a. Chassis clip</b>			
<i>pos.</i>	<i>art.nr.</i>	<i>description</i>	<i>material</i>
	003.08	Chassis clip 6 mm-3/16"	ST
	004.08	Chassis clip double 8 mm-3/16"	ST
	005.08	Chassis clip double 6 mm-3/16"	ST
<b>b. Clamp, 2-parts</b>			
<i>pos.</i>	<i>art.nr.</i>	<i>description</i>	<i>material</i>
	827.02	Clamp Ø 65	ST
	828.02	Clamp Ø 70	ST
	829.02	Clamp Ø 80	ST
<b>c. Clamp, 2-parts with weldblock (2 port)</b>			
<i>pos.</i>	<i>art.nr.</i>	<i>description</i>	<i>material</i>
	277.02	Clamp Ø 65	ST
	278.02	Clamp Ø 80	ST
	125.22	Clamp Ø 135	ST
<b>d. Clamp with mounting plate</b>			
<i>pos.</i>	<i>art.nr.</i>	<i>description</i>	<i>material</i>
	238.22	Clamp Ø 100	ST-YG
<b>e. Grommet</b>			
<i>pos.</i>	<i>art.nr.</i>	<i>description</i>	<i>material</i>
1	006.08	Grommet 8 mm-5 mm	rubber
1	001.08	Grommet 11 mm-8 mm	rubber
1	125.08	Grommet 11,5 mm-5 mm	rubber
1	126.08	Grommet 13,5 mm-5 mm	rubber
1	127.08	Grommet 13,5 mm-8 mm	rubber
1	128.08	Grommet 16,5 mm-5 mm	rubber
1	129.08	Grommet 16,5 mm-8 mm	rubber
2	021.08	Grommet 20 mm-14 mm-4 mm	rubber
2	034.08	Grommet 20 mm-15 mm-6 mm	rubber
2	243.01	Grommet 21 mm-17 mm-5 mm (conical)	rubber
2	244.01	Grommet 19 mm-14 mm-10 mm (conical)	rubber



<b>a. Brake hose rubber</b>			
<i>pos.</i>	<i>art.nr.</i>	<i>description</i>	<i>material</i>
	007.08	Fixing rubber for brake hose	rubber
<b>b. Holes strip</b>			
<i>pos.</i>	<i>art.nr.</i>	<i>description</i>	<i>material</i>
1	132.01	Strip with 1/4" holes (10)	ST
1	131.01	Strip with 1/8" holes (12)	ST
1	158.22	Strip with 1/8" holes (12)	SST
2	874.02	Block with 1/8" hole (1)	ST
<b>c. Connecting block (aluminium)</b>			
<i>pos.</i>	<i>art.nr.</i>	<i>description</i>	<i>material</i>
1	210.01	Connecting block G 1/8, 2 ports	aluminium
2	209.01	Connecting block G 1/8, 1 port	aluminium
<b>d. Anchor block</b>			
<i>pos.</i>	<i>art.nr.</i>	<i>description</i>	<i>material</i>
	655.02	Anchor block 1/8 NPT	ST-YG
<b>e. Protection ring</b>			
<i>pos.</i>	<i>art.nr.</i>	<i>description</i>	<i>material</i>
	397.02	Protection ring Ø 60x40 (1 recess)	ST
	271.02	Protection ring Ø 60x40 (2 recess)	ST
	398.02	Protection ring Ø 70x40 (1 recess)	ST
	275.02	Protection ring Ø 82,5x60 (1 recess)	ST
	394.02	Protection ring Ø 82,5x70 (1 recess)	ST
	274.02	Protection ring Ø 82,5x65 (1 recess)	ST
	276.02	Protection ring Ø 82,5x70 (1 recess)	ST
	273.02	Protection ring Ø 108x70 (1 recess)	ST



<b>a. Welding block etc.</b>			
<i>pos.</i>	<i>art.nr.</i>	<i>description</i>	<i>material</i>
1	651.02	Extension piece M10x1,5 l=120	ST
	367.22	Extension piece M10x1,5 l=300	ST
2	876.02	Welding block G 1/8, with key, left	ST
2	877.02	Welding block G 1/8, with key, right	ST
3	875.02	Welding block G 1/8, 16 mm thick	ST
4	239.02	Kettingsmeerstift, 16x8x120, M8x1-1/8	ST
5	225.02	Welding block G 1/8, 20 mm thick	ST
<b>b. Tie-wrap</b>			
<i>pos.</i>	<i>art.nr.</i>	<i>description</i>	<i>material</i>
	002.08	Tie-wrap, black (l=186 mm)	
	111.07	Tie-wrap, black (l=338 mm)	
	890.012	Tie-wrap, white (l=200 mm)	
	022.08	Tie-wrap, white (l=360 mm)	
<b>c. Welding strip</b>			
<i>pos.</i>	<i>art.nr.</i>	<i>description</i>	<i>material</i>
1	360.02	Welding strip with grease sleeve	ST
<b>d. Banjo</b>			
<i>pos.</i>	<i>art.nr.</i>	<i>description</i>	<i>material</i>
1	248.22	Banjo bolt G1/8x35	ST-YG
1	523.22	Banjo bolt G1/8x45	ST-YG
2	260.22	O-ring 6,07x1,78	rubber
3	247.22	Banjo bush	ST-YG
3	249.22	Banjo bush	ST-YG
4	245.22	Pipe 10x8 650 mm	ST-YG
4	246.22	Pipe 10x8 800 mm	ST-YG
<b>e. Protection plate</b>			
<i>pos.</i>	<i>art.nr.</i>	<i>description</i>	<i>material</i>
1	253.22	Protection plate 400x400x8	ST
2	252.22	Protection plate 300x280x8	ST
3	251.22	Protection plate 250x200x8	ST
3	393.02	Protection plate	ST
4	257.22	Protection plate 270x30x15	ST

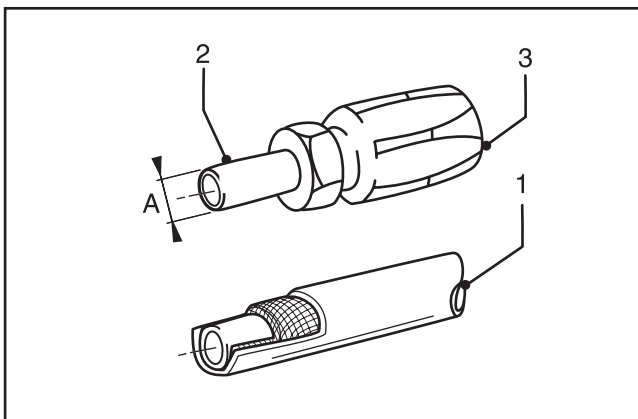
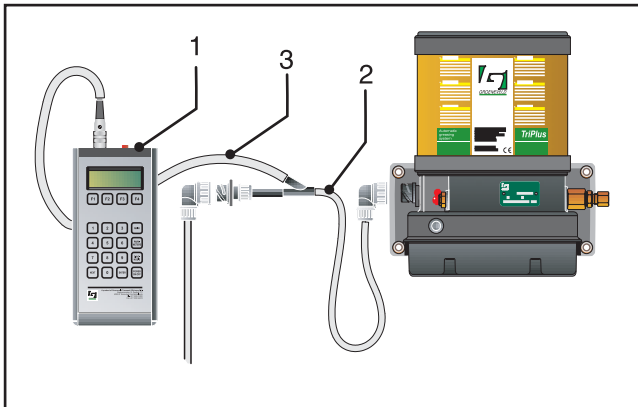




<b>GINA and accessories</b>		
<i>pos.</i>	<i>art.nr.</i>	<i>description</i>
1	865.01	GINA progr. unit TWIN/DAF
2	819.01	GINA test cable for 82001
3	820.01	GINA T-adapter for Twin
4	010.17	GINA test cable



<b>GREENLUBE EP-2</b>				
	Greenlube ZW-2	Greenlube EP-2	Greenlube MP-2	Greenlube ELT-2
NLGI-category ASTM D-217 DIN 51 818	2	2	2	2
Thickening agent (kind of soap)	lithium/ calcium	lithium	lithium	lithium- complex
Dropping point conform ISO 2176, mettler FP 80/83	190° C	180° C	180° C	260° C
Water resistance DIN 51 807 part 1 by 90° C	category 1	category 1	category 1	category 1
Temperature range (area of application)	-20° C +150° C	-25° C +130° C	-25° C +130° C	-55° C +120° C
Basic oil Viscosity by 40° C ASTM D-445	mineral oil 1000 mm <sup>2</sup> /s	mineral oil 280 mm <sup>2</sup> /s	mineral oil 120 mm <sup>2</sup> /s	synthetic oil 40 mm <sup>2</sup> /s
Corrosion protection Sweet (max.) Salt (max.) (conform Emcor-test) DIN 51 802	category 0	klasse 0	category 0	category 0
	category -	category -	category 0	category 2
Shell Four Ball-test conform IP 239 DIN 51 350 part 5	680 kg	260 kg	n.v.t. zonder EP-additieven	200 kg
Application	agriculture earth moving (heavy duty)	universal applications	ball roll bearings with high speed	extreme low temperature



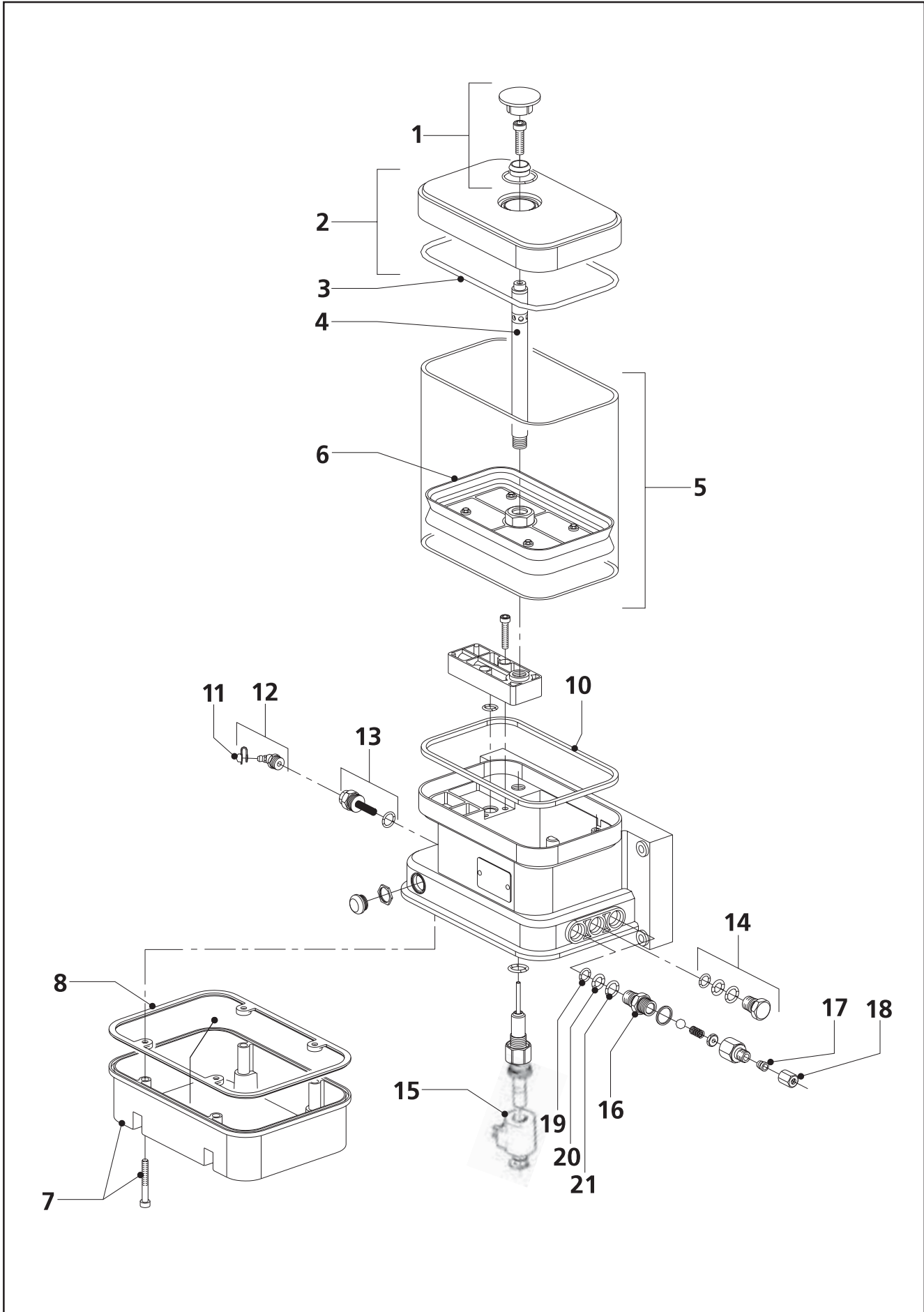
## 7 - TRIPLUS PARTS OVERVIEW

For Groeneveld Automatic Progressive Greasing Systems

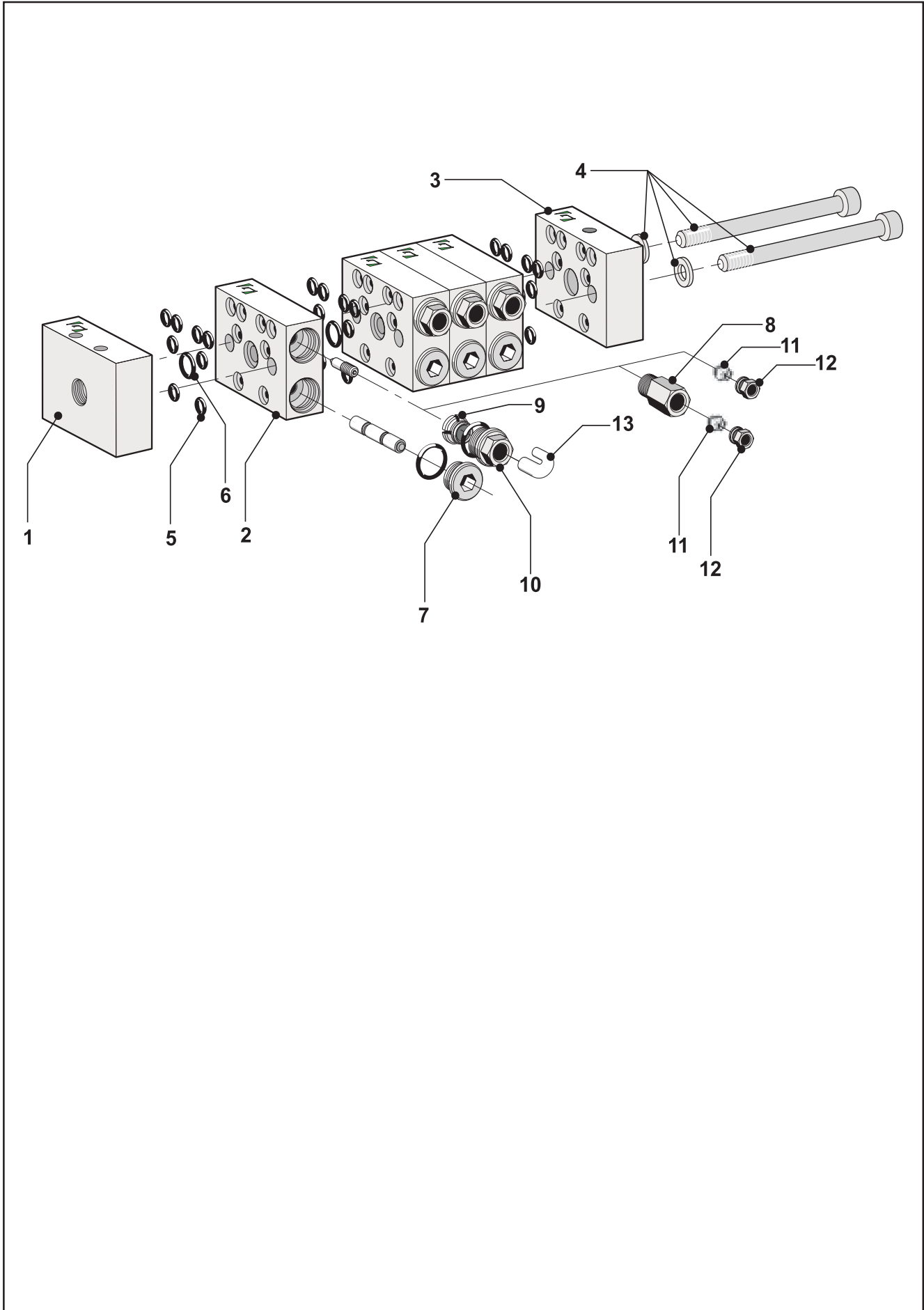
<b>Pumps</b>		
<i>pos.</i>	<i>art.nr.</i>	<i>description</i>
	054.16	TriPluspump 1 outlet (1-3) 2,6cc / 12 volt / 3 Ltr.
	025.16	TriPluspomp 1 outlet (1-3) 2,6cc / 24 volt / 3 Ltr.
	038.16	TriPluspomp 1 outlet (1-1) 2,6cc / 24 volt / 3 Ltr.

<b>GINA and test cable</b>		
<i>pos.</i>	<i>art.nr.</i>	<i>description</i>
1	044.16	GINA, test and read-out unit for TriPlus
1	177.16	GINA for truck/ trailer
2	065.14	Test cable for TriPlus-GINA
3	819.01	Read-out cable

<b>Main line</b>			
<i>pos.</i>	<i>art.nr.</i>	<i>description</i>	<i>material</i>
1	057.16	High pressure hose $\varnothing$ 4mm ID / $\varnothing$ 9mm O.D.	
2	118.16	Elbow stand pipe $\varnothing$ 6 (crimp) 4mm ID	ST-YG
2	117.16	Straight stand pipe $\varnothing$ 6 (crimp) 4mm ID	ST-YG
2	058.16	Straight stand pipe $\varnothing$ 6 (screw) 4mm ID	ST-YG
2+3	095.16	Elbow stand pipe + screw socket $\varnothing$ 6 (screw) 4mm ID	ST-YG
2+3	064.16	Elbow stand pipe + screw socket $\varnothing$ 4 (screw) 4mm ID	ST-YG
2+3	062.16	Straight stand pipe + screw socket $\varnothing$ 5 (screw) 4mm ID	ST-YG
2+3	063.16	Straight stand pipe + screw socket $\varnothing$ 8 (screw) 4mm ID	ST-YG
3	119.16	Crimp socket for 05716	ST-YG

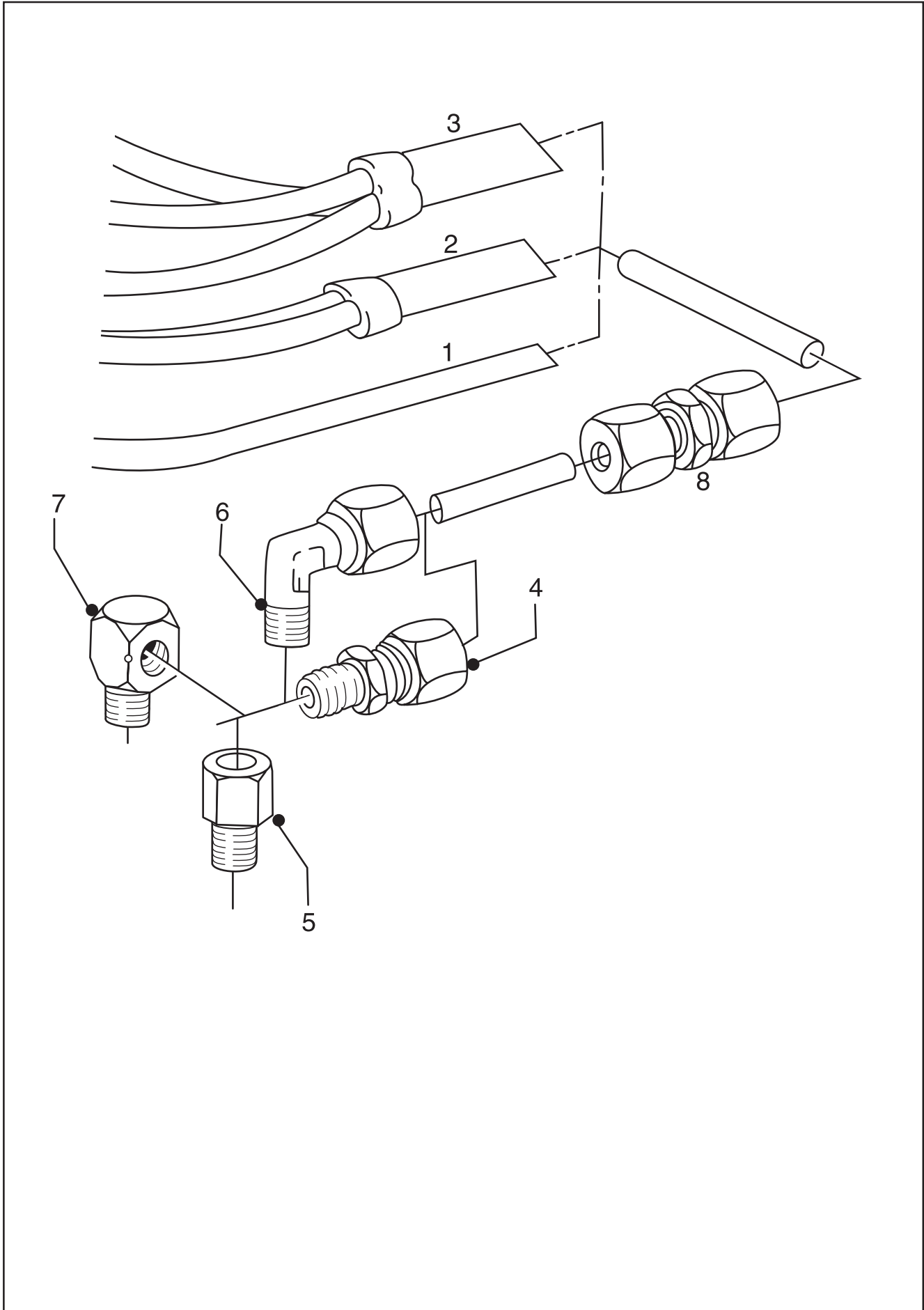


<b>Parts overview pump</b>		
<i>pos.</i>	<i>art.nr.</i>	<i>description</i>
1	597.01	Fixing set, reservoircap
2	887.01	Reservoircap with O-ring
3	306.01	Reservoir O-ring
4	888.01	Follower piston guide 3 Ltr. reservoir
5	892.01	Reservoir 3 Ltr.
6	890.01	Follower piston
7	878.01	Bottom cap
8	084.17	Gasket
10	893.01	Reservoir O-ring
11	871.01	Dust cap
12	870.01	Grease nipple 1/4 NPT
	021.17	Grease nipple 45° 1/4 NPT
	826.01	Grease nipple 90° 1/4 NPT
13	872.01	Grease filter
14	028.16	Plug M14x1.5
15	056.16	Extension set extra pump outlet 12 Volt
	037.16	Extension set extra pump outlet 24 Volt
16	029.16	Non-return valve M14x1.5 - M12x1.5
17	047.16	Nut 6mm - M12x1.5
18	048.16	Ferrule, single sided 6mm
19	792.01	O-ring
20	086.17	O-ring
21	791.01	O-ring
-	082.12	Pump bracket 8cm bended
-	108030	Bolt M8x30 ST-G
-	200008	Nut M8 ST-G
-	300008	Washer M8 ST-G
-	330008	Spring washer M8 ST-G
-	386.22	Greenlube EP-2 per 20kg
	387.22	Greenlube EP-2 per 50kg
	014.22	Greenlube EP-2 per 200kg
-	081.16	Wiring harness 8-core, 8 mtr.
	080.16	Wiring harness 8-core, 15 mtr.
-	083.16	Wiring harness 2-core, 12 mtr. for trailer



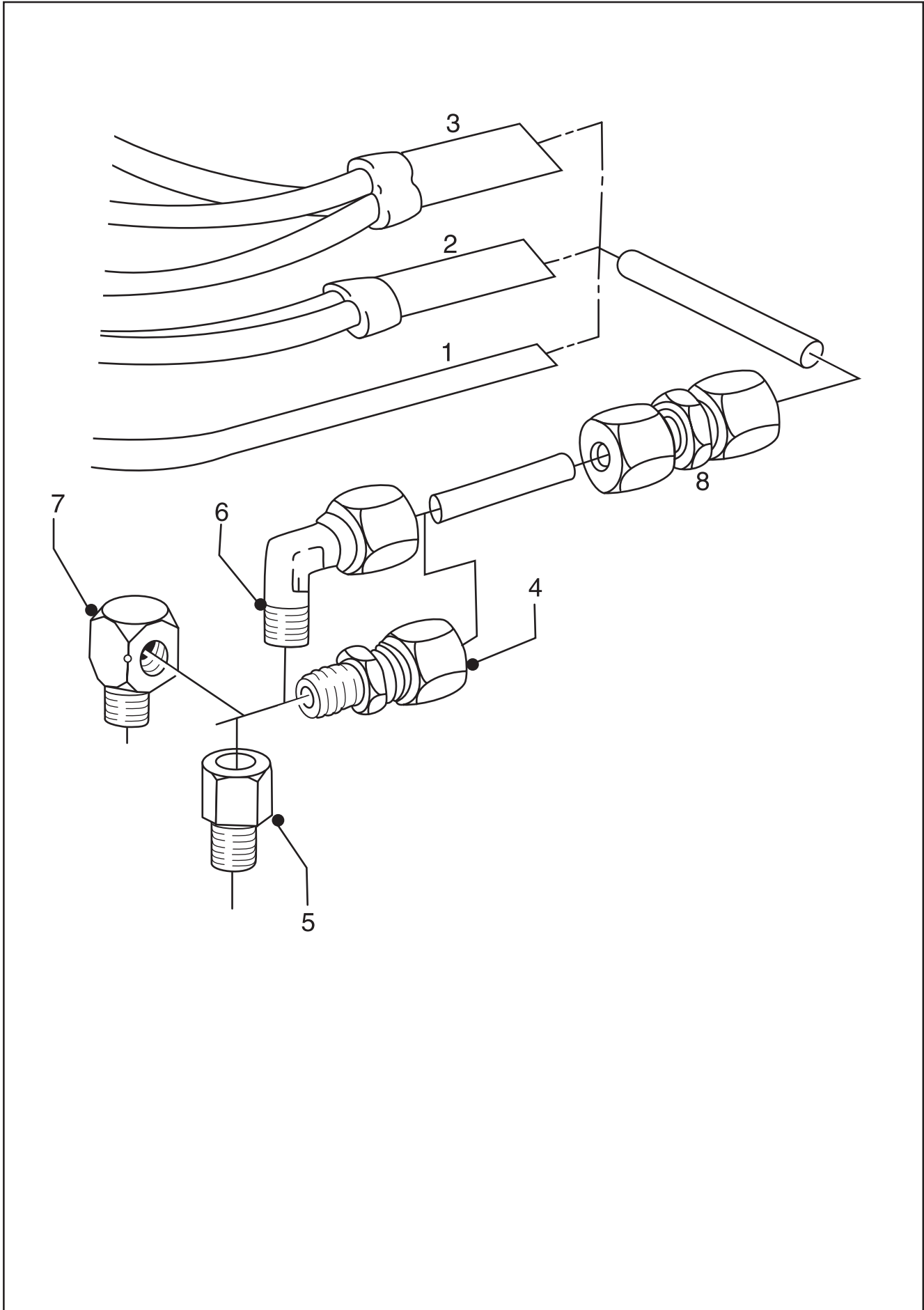


<b>SL000007 - Overview Distribution blocks &amp; parts TriPlus</b>			
<i>pos.</i>	<i>art.nr.</i>	<i>description</i>	<i>sizes</i>
1	002.16	Head block set	
2	005.16	Middle block set	0.045cc
	007.16	Middle block set	0.125cc
	009.16	Middle block set	0.200cc
3	003.16	End block set	
4	019.16	Set with bolts - 3 middle block	M6x65
	020.16	Set with bolts - 4 middle block	M6x80
	021.16	Set with bolts - 5 middle block	M6x100
	022.16	Set with bolts - 6 middle block	M6x115
	023.16	Set with bolts - 7 middle block	M6x130
	024.16	Set with bolts - 8 middle block	M6x145
	017.16	Set with bolts - 9 middle block	M6x165
	018.16	Set with bolts - 10 middle block	M6x180
	052.16	Set with bolts - 11 middle block	M6x195
	053.16	Set with bolts - 12 middle block	M6x210
5	029.17	O-ring	6,75x1,78
6	030.17	O-ring	18,77x1,78
7	010.16	Plug	M12x1
8	036.16	Non-return valve	
9	012.16	Ferrule, single sided	6mm
	066.16	Ferrule, single sided	5mm
10	011.16	Nut	6mm-M12x1
	065.16	Nut	5mm-M12x1
11	014.16	Ferrule, double sided	6mm
12	013.16	Nut	6mm-M12x1
	067.16	Nut	5mm-M12x1
13	049.16	Connecting piece	
-	074.16	Mounting bracket - 3/5 middle block	
	077.16	Mounting bracket - 6/8 middle block	
	078.16	Mounting bracket - 9/12 middle block	
	079.16	Mounting bracket - 3/8 middle block L-type	
-	125045	Allen bolt M5x45 ST-G	
-	200005	Nut M5 ST-G	
	200010	Nut M10 ST-G	
-	300005	Washer M5 ST-G	
	300010	Washer M10 ST-G	
-	330005	Spring washer M5 ST-G	
	330010	Spring washer M10 ST-G	

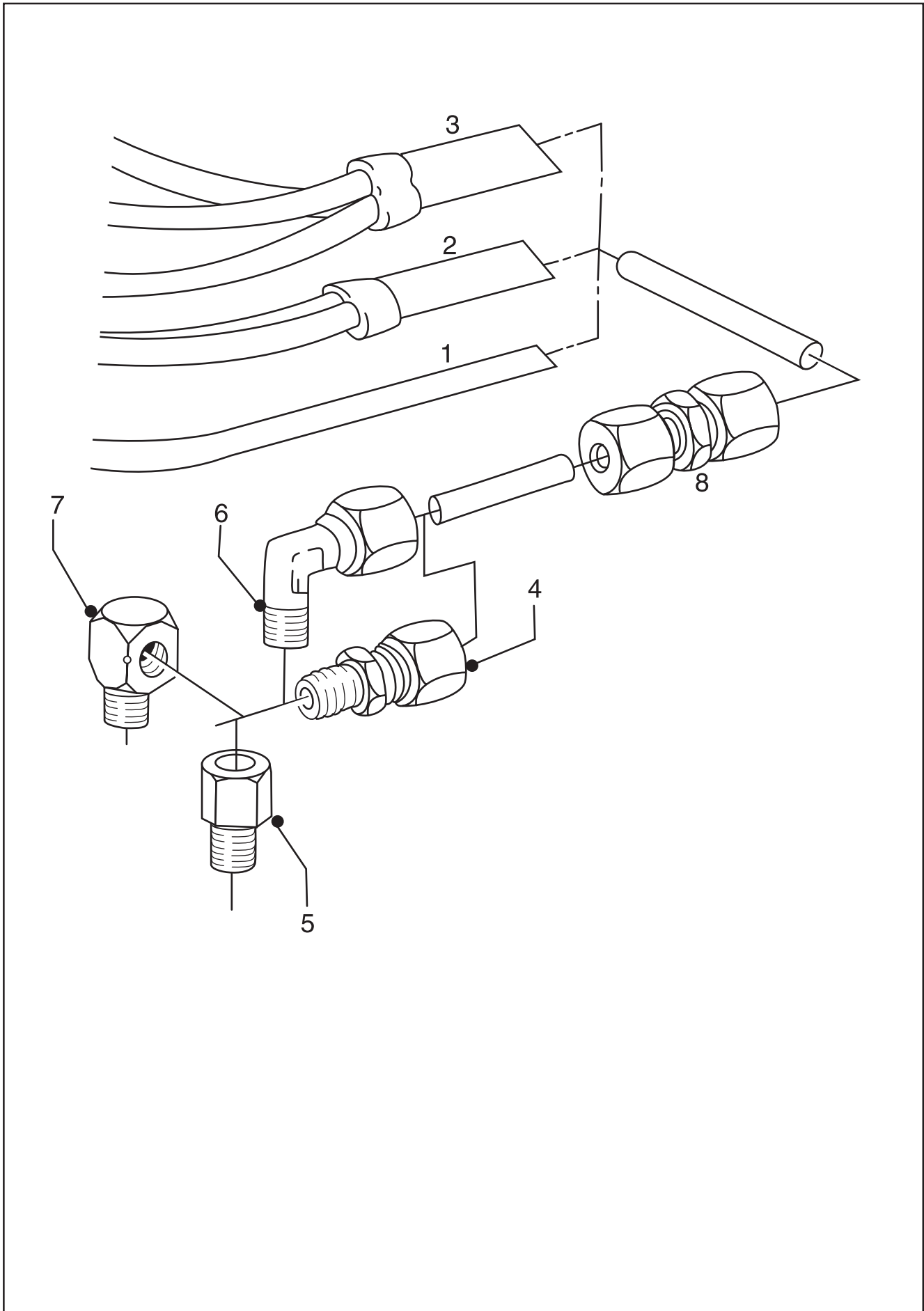


## SECONDARY TUBES

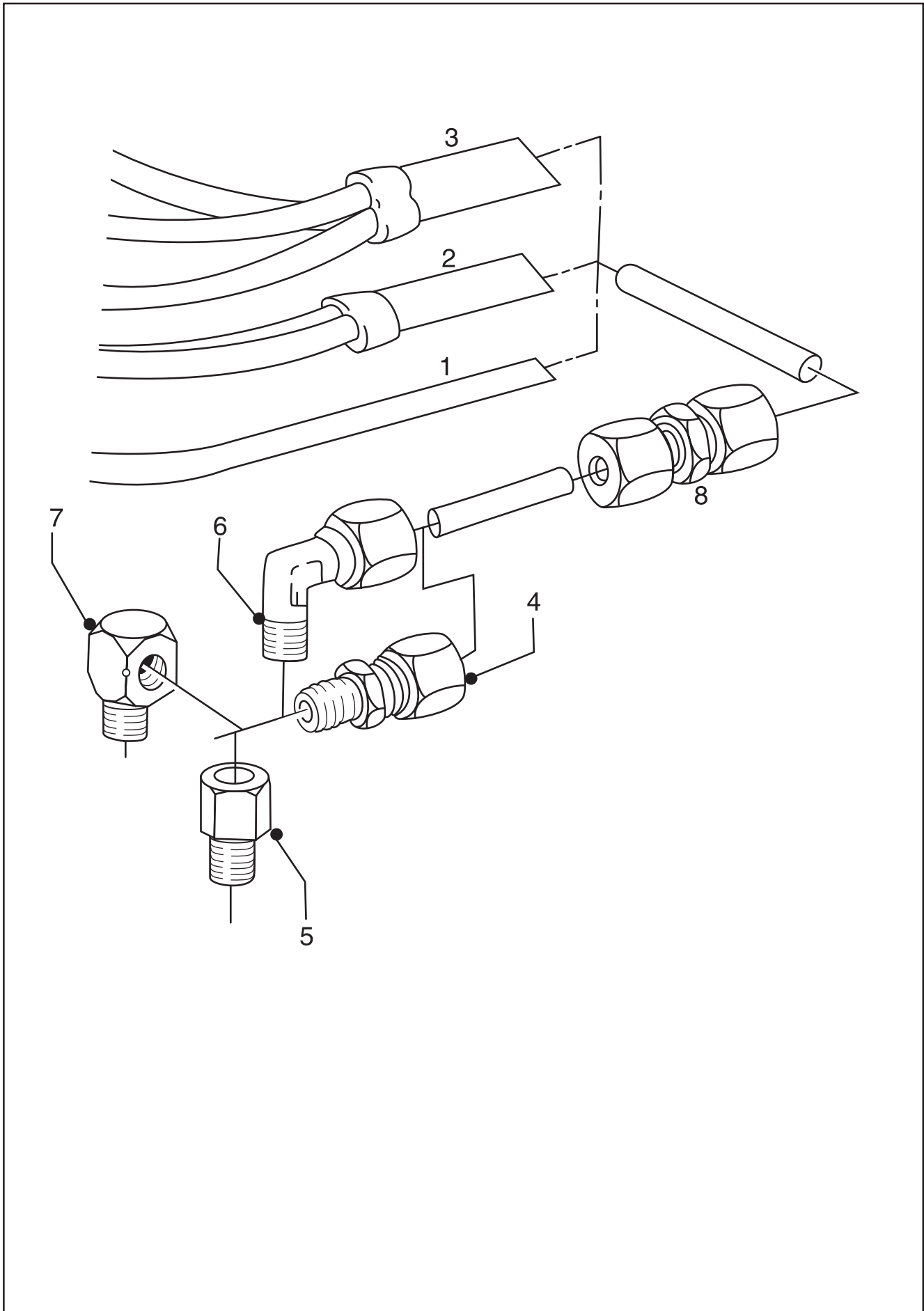
<b>Grease pipe, synthetic, single</b>			
<i>pos.</i>	<i>art.nr</i>	<i>description</i>	<i>material</i>
1	301.02	Grease pipe, single, 6 mm x 1,5 mm (DIN 73378)	PA
	022.01	Grease pipe, single 3/16" (DIN 73378)	PA
	022.11	Grease pipe, single 3/16" per 3m	PA
	022.07	Grease pipe, single 3/16" per 5m	PA
	729.22	Grease pipe, single 3/16" per mtr. (ex. grease)	PA
	207.02	Grease pipe, single 4mm per 1m	PA
	542.01	Grease pipe, single 6mm per 1m	PA
	543.01	Grease pipe, single 6mm per 2m	PA
	722.01	Grease pipe, single 6mm per 3m	PA
	544.01	Grease pipe, single 6mm per 4m	PA
	193.17	Grease pipe, single 6mm per 5m (Hard)	PA
	998.01	Grease pipe, single 6mm per 5m	PA
	722.17	Grease pipe, single 6mm per 5m (6x1,5 mm)	PA
	773.01	Grease pipe, single 6mm per m (6x1,5 mm)	PA
<b>Grease pipe, synthetic, double</b>			
<i>pos.</i>	<i>art.nr</i>	<i>description</i>	<i>material</i>
2	023.01	Grease pipe, double 3/16" (DIN 73378)	PA
	023.11	Grease pipe, double 3/16" per 3m	PA
	023.17	Grease pipe, double 3/16" per 5m	PA
	545.01	Grease pipe, double 6mm per 1m	PA
	546.01	Grease pipe, double 6mm per 2m	PA
	723.01	Grease pipe, double 6mm per 3m	PA
	547.01	Grease pipe, double 6mm per 4m	PA
	723.17	Grease pipe, double 6mm per 5m	PA
	774.01	Grease pipe, double 6mm per m	PA
<b>Grease pipe, synthetic, triple</b>			
<i>pos.</i>	<i>art.nr</i>	<i>description</i>	<i>material</i>
3	024.01	Grease pipe, triple 3/16" (DIN 73378)	PA
	024.11	Grease pipe, triple 3/16" per 3m	PA
	024.17	Grease pipe, triple 3/16" per 5m	PA
	553.01	Grease pipe, triple 6mm per 1m	PA
	554.01	Grease pipe, triple 6mm per 2m	PA
	724.01	Grease pipe, triple 6mm per 3m	PA
	555.01	Grease pipe, triple 6mm per 4m	PA
	724.17	Grease pipe, triple 6mm per 5m	PA
	775.01	Grease pipe, triple 6mm per m	PA



<b>Male stud coupling (ferrule)</b>			
<i>pos.</i>	<i>art.nr.</i>	<i>description</i>	<i>material</i>
4	104.01	Male stud coupling ø 3/16" - 1/8	BR
	421.01	Male stud coupling ø 3/16" - 1/8 NPTF	BR
	138.01	Male stud coupling ø 3/16" - M10x1 con	BR
	212.01	Male stud coupling ø 3/16" - M6x1 con	ST-YG
	657.01	Male stud coupling ø 3/16" - M6x1 con	ST-YG(L)
	101.01	Male stud coupling ø 3/16" - M7x1	BR
	130.01	Male stud coupling ø 3/16" - M8	BR
	219.01	Male stud coupling ø 3/16" - M8x1 con	BR
	235.01	Male stud coupling ø 3/16" - M8x1 con	BR(L)
	585.01	Male stud coupling ø 3/16" - M8x1 con	ST-YG
	166.01	Male stud coupling ø 3/16" - M8x1,25 con	BR
	188.01	Male stud coupling ø 3/16" - M8x1,25 con	BR
	414.02	Male stud coupling ø 5 - M8 con	SST
	413.02	Male stud coupling ø 5 - R1/8	SST
	081.08	Male stud coupling ø 6 - 1/4	BR
	530.22	Male stud coupling ø 6 - 1/4 BSP	ST-YG(L)
	079.08	Male stud coupling ø 6 - 1/8	BR
	981.01	Male stud coupling ø 6 - 1/8	BR
	148.17	Male stud coupling ø 6 - 1/8	SST
	561.02	Male stud coupling ø 6 - G1/4	SST
	987.02	Male stud coupling ø 6 - G1/8	SST
	134.17	Male stud coupling ø 6 - M10x1	BR
	578.02	Male stud coupling ø 6 - M10x1	SST
	435.02	Male stud coupling ø 6 - M10x1	ST-YG
	150.17	Male stud coupling ø 6 - M6x1 short	ST-YG
	840.01	Male stud coupling ø 6 - M6x1	BR
	135.17	Male stud coupling ø 6 - M6x1	ST-YG
	432.02	Male stud coupling ø 6 - M6x1	ST-YG
	136.17	Male stud coupling ø 6 - M8x1	BR
	F170898	Male stud coupling ø 6 - M8x1	SST
	433.02	Male stud coupling ø 6 - M8x1	ST-YG
	434.02	Male stud coupling ø 6 - R1/8	ST-YG



<b>Reduction-adaptor</b>			
<i>pos.</i>	<i>art.nr.</i>	<i>description</i>	<i>material</i>
5	811.22	Reduction-adaptor 1/4"-1/4" NPT	BR
	641.02	Reduction-adaptor 1/4, 18 NPTF - 1/4 NPT	ST-YG
	029.01	Reduction-adaptor 1/4-18 NPT 1/8-27 NPT	BR
	618.01	Reduction-adaptor 1/8" NPT - 1/4"G L60mm	ST-YG
	238.12	Reduction-adaptor 1/8" NPT - 1/4"G-60	SST
	F170988	Reduction-adaptor 1/8-1/8-80	SST
	640.02	Reduction-adaptor 1/8-27 NPTF - 1/8 NPT	ST-YG
	980.01	Reduction-adaptor 1/8 NPTF - 22mm	BR
	333.01	Reduction-adaptor 1/8 NPTF - 42mm	ST-YG
	977.01	Reduction-adaptor 1/8 NPTF - 70mm	ST-YG
	152.01	Reduction-adaptor G1/8 1/4-28 UNF	BR
	F170989	Reduction-adaptor G1/8 1/4-28 UNF	SST
	155.01	Reduction-adaptor G1/8 M8x1con	BR
	116.08	Reduction-adaptor G1/8 R1/8	BR
	085.08	Reduction-adaptor G1/8 R1/8	BR
	632.02	Reduction-adaptor G1/8 - G1/4	ST-YG
	129.22	Reduction-adaptor G1/8 - R1/8 40	ST-YG
	444.02	Reduction-adaptor G1/8 - R1/8	SST
	161.11	Reduction-adaptor M10x1 vst	ST-YG
	479.01	Reduction-adaptor M10xM8	ST-YG
	156.01	Reduction-adaptor M8x1 M8x1 con	ST-YG
<b>Male stud elbow (ferrule)</b>			
<i>pos.</i>	<i>art.nr.</i>	<i>description</i>	<i>material</i>
6	422.01	Male stud elbow $\varnothing$ 3/16 - 1/8 NPTF	BR
	137.01	Male stud elbow $\varnothing$ 3/16 - M10x1 con	BR
	121.01	Male stud elbow $\varnothing$ 3/16 - M8x1	BR
	187.01	Male stud elbow $\varnothing$ 3/16 - M8x1,25	BR
	102.01	Male stud elbow $\varnothing$ 3/16 - R1/8 NPT	BR
	531.22	Male stud elbow $\varnothing$ 6 - 1/4 NPT	ST-YG
	982.01	Male stud elbow $\varnothing$ 6 - 1/8 NPT	BR
	559.02	Male stud elbow $\varnothing$ 6 - 1/8 NPT	SST
	132.17	Male stud elbow $\varnothing$ 6 - M10x1	BR
	439.02	Male stud elbow $\varnothing$ 6 - M10x1	ST-YG
	436.02	Male stud elbow $\varnothing$ 6 - M6x1	ST-YG
	133.17	Male stud elbow $\varnothing$ 6 - M8x1	BR
	437.02	Male stud elbow $\varnothing$ 6 - M8x1	ST-YG
	082.08	Male stud elbow $\varnothing$ 6 - R1/4	BR
	562.02	Male stud elbow $\varnothing$ 6 - R1/4	SST
	080.08	Male stud elbow $\varnothing$ 6 - R1/8	BR
	438.02	Male stud elbow $\varnothing$ 6 -R1/8	ST-YG





<b>Male stud elbow</b>					
<i>pos.</i>	<i>artnr.</i>	<i>size A</i>	<i>size B</i>	<i>size C</i>	<i>material</i>
7	085.01	1/4 UNF	1/8G		ST-YG
	021.01	1/4 UNF	1/8G		ST-YG
	445.02	1/4 UNF	1/8G		SST
	979.01	1/8 NPTF	1/8 NPTF		ST-YG
	933.01	1/8 NPTF	1/8 NPTF		ST-YG
	633.02	1/8 NPTF	G1/8		SST
	150.01	G1/8	G1/8		ST-YG
	147.01	M10x1	M10x1		BR
	151.11	M10x1	M10x1	12.5	BR
	213.01	M6x1 con	M8x1		ST-YG
	F170875	M6x1 con	M8x1		SST
	930.01	M8x1,25	M8x1,25		BR
	055.11	M8x1	M8x1	l=44	ST-YG
	412.01	M8x1 con	M8x1		BR
	415.02	M8x1 con	M8		BR
	148.01	M8x1 con	M8x1		BR
	983.01	M8x1 con	L	M8x1	ST-YG
	827.01	R1/4	R1/4		ST-YG
	062.11	R1/8"	R1/8"		ST-YG
<b>Straight connecting coupling (ferrule)</b>					
<i>pos.</i>	<i>art.nr.</i>	<i>size A</i>	<i>size B</i>	<i>size C</i>	<i>material</i>
8	083.08	6	6		BR
	299.01	6	6		ST-YG
	408.02	1/8"	1/8"		BR
	106.01	3/16"	3/16"		BR
	555.22	6	6		SST