

perma STAR VARIO - Quick Start Guide

1. Predefine installation / Select lubricant, discharge period + connecting parts

Examples: Bearing lubrication

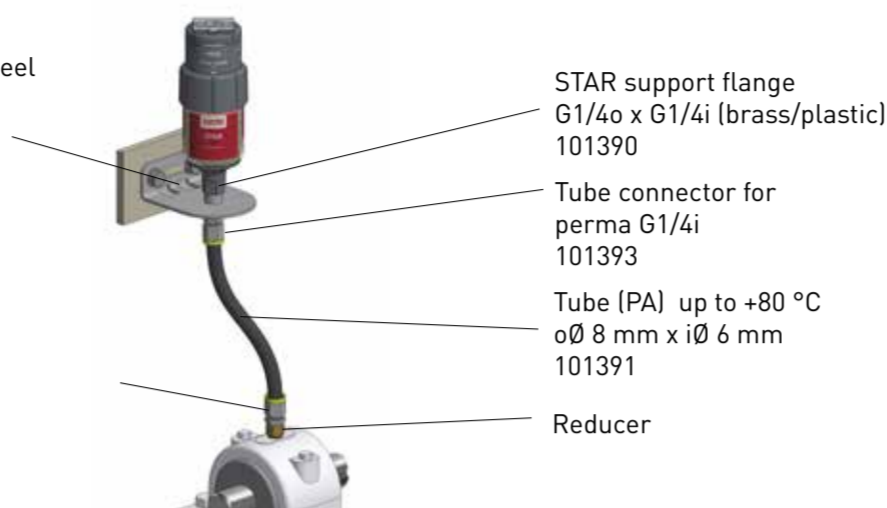


Direct mounting

Bracket stainless steel
104864

Insert for
bracket
G1/4o x G1/4i
104820

Tube connector
G1/4o
104820



STAR support flange
G1/4o x G1/4i (brass/plastic)
101390

Tube connector for
perma G1/4i
101393

Tube (PA) up to +80 °C
oØ 8 mm x iØ 6 mm
101391

Reducer

Remote mounting → for lube-points with vibration, limited mounting space, high temperature

Select a suitable lubricant
for perma STAR VARIO LC unit
→ e. g. multipurpose grease SF01

Select discharge period
→ e. g. with perma SELECT Software
(refer to our product catalog for details)

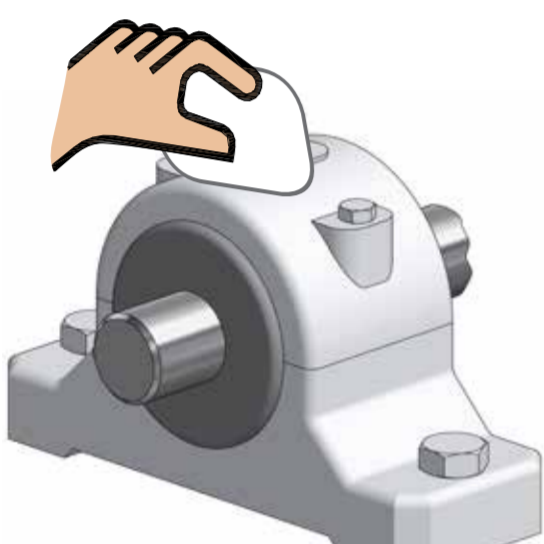
Possible mounting positions:



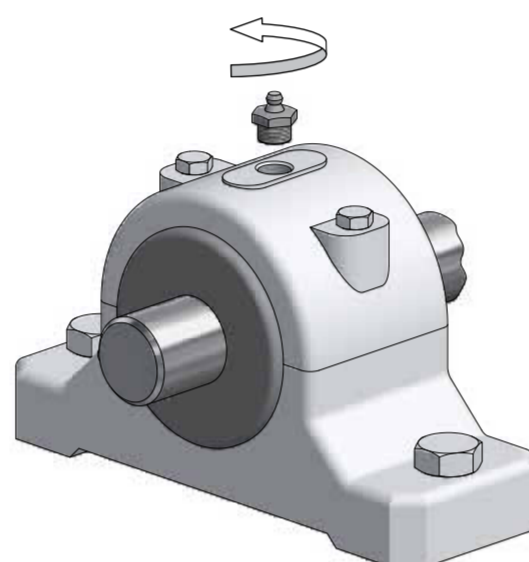
360°

* This position is not possible when a protection cap is used

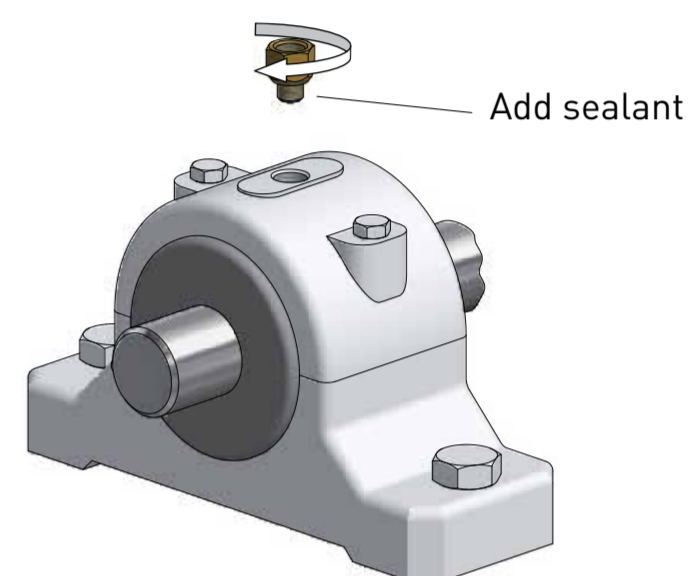
2. Prepare lube-point



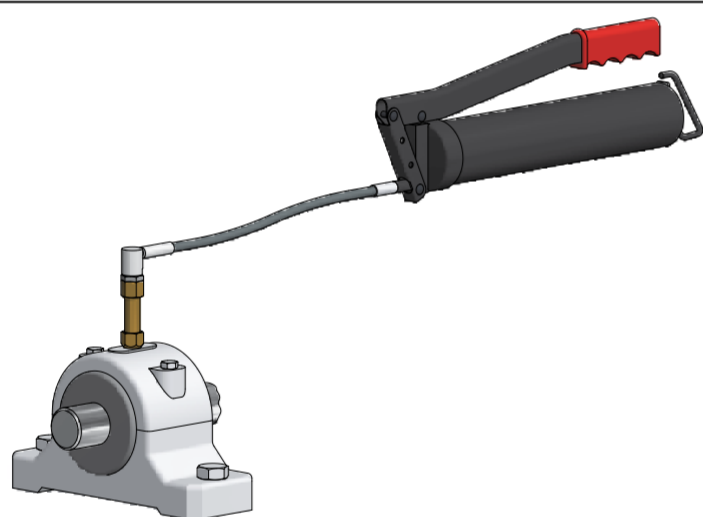
Clean lube-point



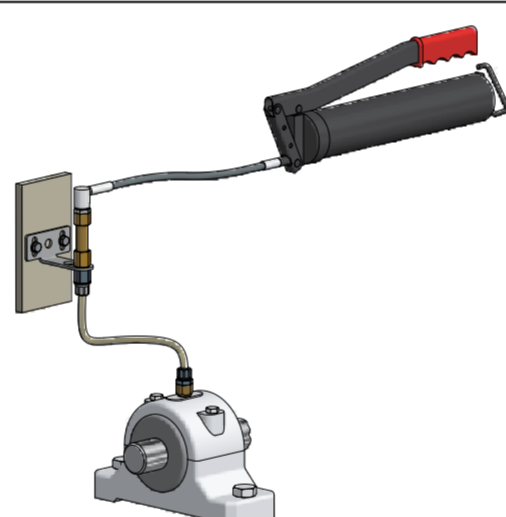
Remove grease fitting



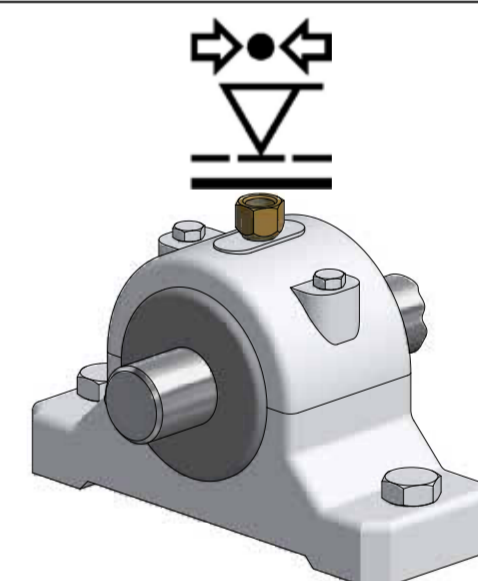
Add reducer and tubes (if required)



For direct mounting:
Prefill lube-point and any connecting parts
(use the same grease that is contained in the lubrication system)



For remote mounting:
Prefill lube-point and any grease lines / connections
(use the same grease that is contained in the lubrication system)

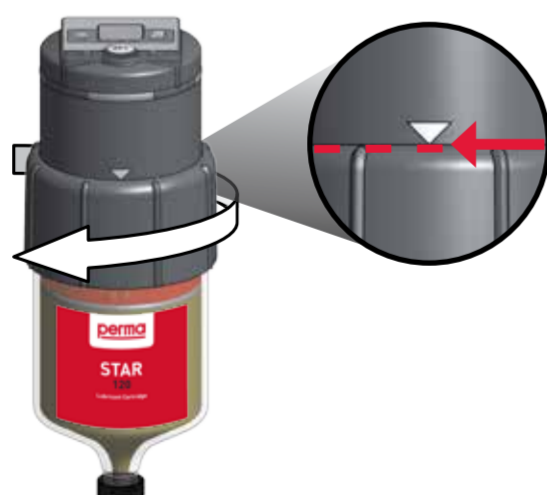


Pressure check: Lube-point / all connecting parts
(refer to perma STAR VARIO installation guide for details)

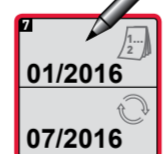
3. Activation / Installation of lubrication system



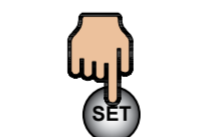
Assembly



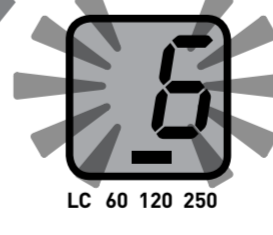
Screw control unit onto LC unit until
arrow lines up (see enlargement)



Note
activation / exchange
date on label



Select LC unit
60, 120, 250 cc



Select discharge period
1 - 12 months



Remove plug



→ www.perma-tec.com

perma